

Yuyao gongyi meter CO.,LTD



XMT *908 series intellectual temperature adjustment

instrument Instruction manual

I、Main technical specification

- Measurement deviation: $\leq \pm 0.5\%F \cdot S \pm 1$
- Cold end compensating deviation: $\leq \pm 2.0^{\circ}\text{C}$
- Sampling cycle: 0.5S
- Control cycle: relay output 2~120S , other is 2S.
- Relay output contact capacity: AC250V/3A (resistance load) or AC250V/0.3A (perceptual load)
- Driving controllable pulse output: $\geq 3\text{V}$ scope, $\geq 40\mu\text{s}$ width's over zero or trigger contact pulse
- Driving solid relay signal output: driving electric current $\geq 15\text{mA}$, voltage $\geq 9\text{V}$.
- Continuous PID : 0~10mA (load $500 \pm 200 \Omega$), 4~20mA (load $250 \pm 100 \Omega$),
or 0~5V (load $\geq 100\text{k} \Omega$), 1~5V (load $\geq 100\text{k} \Omega$)
- Exterior and hole size: $48 \times 48 \times 110$ 44×44
- Power supply: AC110V~242V, 50/60Hz
- Working condition: temperature 0~50.0 $^{\circ}\text{C}$, relative humidity $\leq 85\% \text{RH}$, without corrode and strong electric radiation.

II、Code setting mode

Series	Code	Name	Setting range	Manual	Remarks
0	SP	Appointed data	Determined by P-SL P-SH	—	50.0
1	AL-1	Alarm 1	Determined by P-SL,P-SH when the upper and lower limit range,it is 0~50.0 when the upper and lower limit deviation alarm	Alarm 1 setting value	10
2	AL-2	Alarm 2	Determined by P-SL,P-SH when the upper and lower limit	Alarm 1 setting value	10

Yuyao changjiang temperature meter factory

			range,it is 0~50.0 when the upper and lower limit deviation alarm		
3	P	Proportion modulus	0~100	When the P ↑ ,the the proportion function ↓ When P=0,the meter is ON/OFF control	8
4	I	Calculus time	0~2000S		240
5	d	differential time	0~200S		30
6	At	Setting itself	ON:open setting inself function OFF:close setting itself function	Select of setting itself	OFF
7	t	SSR proportion Control period	1~120S	the movements cycle ON/OFF of Setting relays control is no meaning	20
8	Hy	Main control by drop in level	0.1~50.0	Only have meaning when main control output is ON/OFF(P=0)	1.0
9	Hy-1	Alarm 1 drop in level	0.1~50.0	It has use drop in level setting of alarm contact output	1.0
10	Hy-2	Alarm 2 drop in level	0.1~50.0	It has use drop in level setting of alarm contact output	1.0
11	Pb	Sensor error amendment	±20.0	The sensor have deviation can use item to revisal	0
12	FILT	Filt modulus	0~50	Is the software filter constants of measurement sampling.The constant ↑ ,the Measurements antijamming capabilityMeasurements antijamming capability ↑ ,but the measurement and system time ↓	20
13	dp	Show accuracy	0~1	0: have radix point,1: have no radix point	—
14	P-SH	Display the high limit	P-SL~9999	Can set the high limit displaying input signal	400
15	P-SL	Display the low limit	-1999~P-SH	Can set the low limit displaying input signal	0
16	OUTL	Allow exports min value	0.0~OUTH	It will no role when lowest outputlimit,,manual and position.	0.0
17	OUTH	Allow exports max value	OUTL~200	It will no role when highest outputlimit,,manual and position.	200.0
18	ALP1	Alarm1 and output definition	0~4	‘0’:indicate no alarm ‘1’:upper limit touch alarm	—

Yuyao gongyi meter CO.,LTD

19	ALP2	Alarm2 and output definition	0~4	'2':lower limit touch alarm '3':upper windage alarm '4':lower windage alarm	—
20	COOL	System function choice	0~1	'0':reverse control '1':positive control	0
21	OPPO	Open power output	0~100	Soft start functionthat meters coefficient after first export of electric power	0
22	LOCK	Code lock	0~50	0- all the parameter can be revised 1- only the sp can be revised	0
23	Sn	Input type	0~7	0-CU50 (-50.0 ~ 150.0 °C) ;1-PT1 (-200.0 ~ 200.0 °C) ;2-PT2 (-200.0 ~ 600.0°C) ;3-K (0~1300°C) ;4-E (0~700.0 °C) ;5-J (0 ~ 900.0 °C) ;6-T (-200~400.0°C) ;7-S (0~1600°C) ;	
24	OP-A	Output type	1~4	1- RLP SSR output mode 2- SSR solid state relay 3- Zero controllable silicon contact signal when it exceed zero output mode 4- Mut controllable silicon phase trigger contact output mode 5- 0~10MA linearity control electric current output 6- 4~20MA linearity control electric current output	

III、 Technical indexes

1、 The first setting area

Press the SET key 3S enter into the first setting area, the meter will display the parameter code 1~24in the window at the upper row and display the parameter data at the low row. In this time press the ▲、 ▼ or ◀ key to adjust the parameter, then press the SET key to preserve. Press the SET key long time will withdraw or press the SET+◀ key will directly withdraw. If within 10 seconds do not press every key then it will automatically to preserve the data and withdraw the setting.

2、 The second setting area

When the meter is set up with the electricity, press the SET key enter into the second setting area, you can according the 1 to set the “SP”.

3、 Manual regulation

When the meter is set up with the electricity, press the ◀ key about 3S enter into the manual regulation, it will display “H” at the lower row, in this time can set the output power; press the ◀ key about 3S again it

Yuyao changjiang temperature meter factory

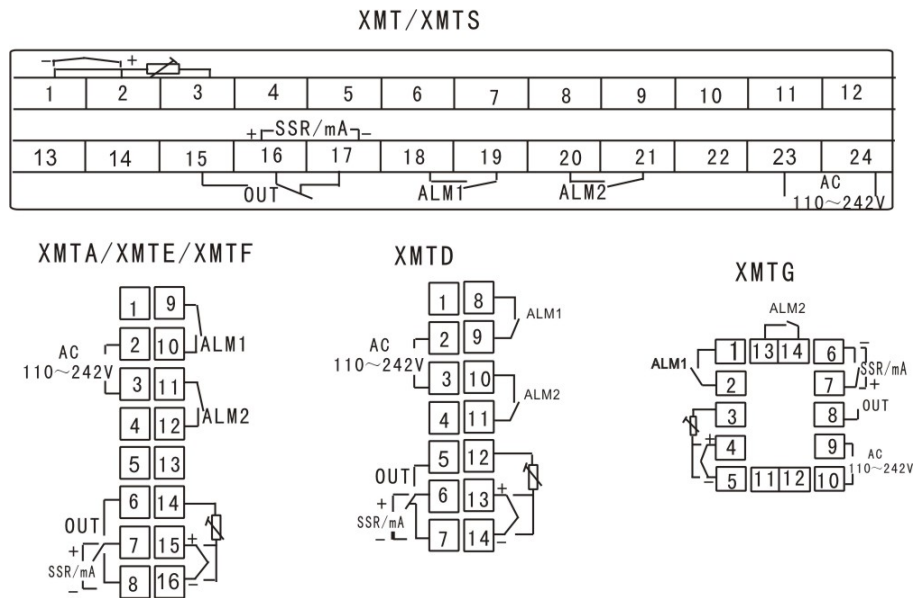
will withdraw the manual regulation.

IV、Setting itself

The meter use in the first time or the surroundings have changer, finding it control not good, in this time you need use the setting itself. For example:

The first set the AT=ON,A-M light flickered, the meter enter into setting itself, press the SET key enter into parameter setting. Set the Hy is 0.5~1°C, if the output is relay set the t=2S, the meter have three times vibrate, automatic preserved P, I, D parameter and the AT light off, the setting itself finish.

V、connection scheme(consult)



Yuyao gongyi meter CO.,LTD

Yuyao changjiang temperature meter factory

Saling hotline: +86-574-62813205

technical consultation: +86-574-62830724

Fax: +86-574-62814210

E-mail: yycj@yycj.com

http://www.yycj.com.cn