



**CTS (NINGBO) TESTING SERVICE TECHNOLOGY  
INTERNATIONAL**

**OPERATE ACCORDING TO ISO/IEC 17025**

# **EMC TEST REPORT**

**TEST REPORT NUMBER : CNB3150617-00428-E**



**CTS (Ningbo) Testing Service Technology Co., Ltd.**  
2/F., South Tower, Huoju Building, No.181, Canghai Road,  
Jiangdong Science and Technology Park, Ningbo, Zhejiang, China

<b>TEST REPORT</b> <b>EN 61000-6-3:2007+A1:2011+AC:2012</b> Electromagnetic compatibility (EMC) —Part 6-3: Generic standards — Emission standard for residential, commercial and light-industrial environments <b>EN 61000-6-1:2007</b> Electromagnetic compatibility (EMC) —Part 6-1: Generic standards — Immunity for residential, commercial and light-industrial environments <b>EN 61204-3:2000</b> Low voltage power supplies, d.c. output —Part 3: Electromagnetic compatibility (EMC)	
<b>Report Reference No.</b> .....	CNB3150617-00428-E
<b>Date of issue</b> .....	26 June 2015
<b>Testing Laboratory Name</b> .....	<b>CTS (Ningbo) Testing Service Technology Co., Ltd.</b>
<b>Address</b> .....	GZ test site: A101, No.65, Zhuji Road, Tianhe District, Guangzhou, Guangdong, China
<b>Testing location/ procedure</b> .....	Full application of Harmonised standards <input checked="" type="checkbox"/> Partial application of Harmonised standards <input type="checkbox"/> Other standard testing method <input type="checkbox"/>
<b>Applicant's name</b> .....	YUEQING QIANWEI ELECTRIC CO., LTD.
<b>Address</b> .....	NO.31 HUANCHENG EAST ROAD, HOUJIE INDUSTRY ZONE, LIUSHI, WENZHOU, ZHEJIANG, CHINA
<b>Test specification:</b>	
<b>Standard</b> .....	<b>EN 61000-6-3:2007+A1:2011+AC:2012, EN 61000-6-1:2007 EN 61000-3-2:2014, EN 61000-3-3: 2013, EN 61204-3:2000</b>
<b>Test Report Form No.</b> .....	CTSEMC-1.0
<b>TRF Originator</b> .....	CTS (Ningbo) Testing Service Technology Co., Ltd.
<b>Master TRF</b> .....	Dated 2009-01
<b>CTS (Ningbo) Testing Service Technology Co., Ltd. All rights reserved.</b>	
This publication may be reproduced in whole or in part for non-commercial purposes as long as the CTS (Ningbo) Testing Service Technology Co., Ltd. is acknowledged as copyright owner and source of the material. CTS (Ningbo) Testing Service Technology Co., Ltd. takes no responsibility for and will not assume liability for damages resulting from the reader's interpretation of the reproduced material due to its placement and context.	
<b>Test item description</b> .....	SWITCHING POWER SUPPLY
<b>Trade Mark</b> .....	Q&W、QWIFM、BALTOVENTS、WESTA
<b>Manufacturer</b> .....	YUEQING QIANWEI ELECTRIC CO., LTD.
<b>Model/Type reference</b> .....	S
<b>Ratings</b> .....	AC 11-230V, 50-60Hz, 800W(A)
<b>Result</b> .....	<b>PASSED</b>

**Compiled by:**


Kate zhang / File administrators

**Supervised by:**


Duke yang / Technique principal

**Approved by:**


Vincent yao / Manager

Copyright of this report is owned by Centre of Testing Service and may not be reproduced other than in full except with the written approval of the issuing Company.

**CTS (Ningbo) Testing Service Technology Co., Ltd.**

2/F., South Tower, Huoju Building, No.181, Canghai Road, Jiangdong Science and Technology Park, Ningbo, Zhejiang, China

Tel: +86-20-85543113 (32 lines)

Fax: +86-20-38780406

Complaint line: +86-20-85533471

E-mail: cts@cts-lab.com.cn

See Reverse For Terms And Conditions of Service



## EMC -- TEST REPORT

<b>Test Report No. :</b> CNB3150617-00428-E	<u>26 June 2015</u> Date of issue
---	--------------------------------------

Type / Model.....	S
EUT.....	SWITCHING POWER SUPPLY
<b>Applicant</b> .....	YUEQING QIANWEI ELECTRIC CO., LTD.
Address.....	NO.31 HUANCHENG EAST ROAD, HOUJIE INDUSTRY ZONE, LIUSHI, WENZHOU, ZHEJIANG, CHINA
Telephone.....	+86-0577-278282988
Fax.....	+86-0577-62796216
Contact.....	/
<b>Manufacturer</b> .....	YUEQING QIANWEI ELECTRIC CO., LTD.
Address.....	NO.31 HUANCHENG EAST ROAD, HOUJIE INDUSTRY ZONE, LIUSHI, WENZHOU, ZHEJIANG, CHINA
Telephone.....	+86-0577-278282988
Fax.....	+86-0577-62796216
Contact.....	/
<b>Factory</b> .....	YUEQING QIANWEI ELECTRIC CO., LTD.
Address.....	NO.31 HUANCHENG EAST ROAD, HOUJIE INDUSTRY ZONE, LIUSHI, WENZHOU, ZHEJIANG, CHINA
Telephone.....	+86-0577-278282988
Fax.....	+86-0577-62796216
Contact.....	/

The test report merely corresponds to the test sample.  
It is not permitted to copy extracts of these test result without the written permission of the test laboratory.

Copyright of this report is owned by Centre of Testing Service and may not be reproduced other than in full except with the written approval of the issuing Company.

**CTS (Ningbo) Testing Service Technology Co., Ltd.**

2/F., South Tower, Huoju Building, No.181, Canghai Road, Jiangdong Science and Technology Park, Ningbo, Zhejiang, China

Tel: +86-20-85543113 (32 lines)

Fax: +86-20-38780406

Complaint line: +86-20-85533471

E-mail: cts@cts-lab.com.cn

See Reverse For Terms And Conditions of Service



**TABLE OF CONTENTS**

<u>Description</u>	<u>Page</u>
<b>1 TEST STANDARDS.....</b>	<b>5</b>
<b>2 SUMMARY.....</b>	<b>5</b>
<b>2.1 GENERAL REMARKS .....</b>	<b>5</b>
<b>2.2 FINAL ASSESSMENT.....</b>	<b>5</b>
<b>3 EQUIPMENT UNDER TEST.....</b>	<b>6</b>
<b>3.1 Power supply system utilised.....</b>	<b>6</b>
<b>3.2 Short description of the Equipment under Test (EUT).....</b>	<b>6</b>
<b>3.3 EUT operation mode.....</b>	<b>6</b>
<b>3.4 EUT configuration.....</b>	<b>7</b>
<b>3.5 Performance level.....</b>	<b>7</b>
<b>3.6 Definition related to the performance level.....</b>	<b>7</b>
<b>4 TEST ENVIRONMENT.....</b>	<b>8</b>
<b>4.1 Address of the test laboratory.....</b>	<b>8</b>
<b>4.2 Test facility.....</b>	<b>8</b>
<b>4.3 Environmental conditions.....</b>	<b>8</b>
<b>4.4 Definitions of symbols used in this test report.....</b>	<b>8</b>
<b>4.5 Statement of the measurement uncertainty.....</b>	<b>8</b>
<b>4.6 Measurement Uncertainty.....</b>	<b>9</b>
<b>4.7 Test Description.....</b>	<b>9</b>
<b>5 TEST CONDITIONS AND RESULTS.....</b>	<b>10</b>
<b>5.1 Conducted disturbance.....</b>	<b>10</b>
<b>5.2 Radiated disturbance (electric field).....</b>	<b>14</b>
<b>5.3 Harmonic current.....</b>	<b>20</b>
<b>5.4 Voltage fluctuations and flicker.....</b>	<b>24</b>
<b>5.5 Electrostatic discharge.....</b>	<b>27</b>
<b>5.6 Radiated, radio-frequency, electromagnetic field.....</b>	<b>29</b>
<b>5.7 Electrical fast transients / Burst.....</b>	<b>31</b>
<b>5.8 Surge.....</b>	<b>33</b>
<b>5.9 Conducted disturbances induced by radio-frequency fields.....</b>	<b>35</b>
<b>5.10 Power frequency magnetic field.....</b>	<b>37</b>
<b>5.11 Voltage dips.....</b>	<b>39</b>
<b>5.12 Voltage Short interruptions.....</b>	<b>41</b>
<b>6 USED TEST EQUIPMENT.....</b>	<b>43</b>
<b>7 TEST PHOTOGRAPHS.....</b>	<b>46</b>
<b>7.1. Photo of power line conducted emission measurement (C.E.).....</b>	<b>46</b>
<b>7.2. Photo of radiated emission measurement (R.E. Electric field).....</b>	<b>46</b>

Copyright of this report is owned by Centre of Testing Service and may not be reproduced other than in full except with the written approval of the issuing Company.

**CTS (Ningbo) Testing Service Technology Co., Ltd.**

2/F., South Tower, Huoju Building, No.181, Canghai Road, Jiangdong Science and Technology Park, Ningbo, Zhejiang, China

Tel: +86-20-85543113 (32 lines)

Fax: +86-20-38780406

Complaint line: +86-20-85533471

E-mail: cts@cts-lab.com.cn

See Reverse For Terms And Conditions of Service



---

7.3. Photo of harmonic current and flicker emission measurement (H.&F.).....	46
7.4. Photo of electrostatic discharge Immunity measurement (E.S.D.).....	47
7.5. Photo of RF field strength Immunity measurement (R.S.).....	47
7.6. Photo of EFT/surge/Dips immunity measurement (E.F.T./Surge./Dips.).....	47
7.7. Photo of conducted disturbance Immunity measurement (C.S.).....	48
7.8. Photo of PFM field immunity measurement (P.F.M.F.).....	48
<b>8 External and Internal Photos of the EUT .....</b>	<b>49</b>
<b>9 Manufacturer/ Approval holder Declaration .....</b>	<b>53</b>

Copyright of this report is owned by Centre of Testing Service and may not be reproduced other than in full except with the written approval of the issuing Company.

**CTS (Ningbo) Testing Service Technology Co., Ltd.**

2/F., South Tower, Huoju Building, No.181, Canghai Road, Jiangdong Science and Technology Park, Ningbo, Zhejiang, China

Tel: +86-20-85543113 (32 lines)

Fax: +86-20-38780406

Complaint line: +86-20-85533471

E-mail: cts@cts-lab.com.cn

See Reverse For Terms And Conditions of Service

## 1 TEST STANDARDS

The tests were performed according to following standards:

EN 61000-6-3:2007+A1:2011+AC:2012 Electromagnetic compatibility (EMC) —Part 6-3: Generic standards — Emission standard for residential, commercial and light-industrial environments

EN 61000-6-1:2007 Electromagnetic compatibility (EMC) —Part 6-1: Generic standards — Immunity for residential, commercial and light-industrial environments

EN 61204-3:2000 Low voltage power supplies, d.c. output —Part 3: Electromagnetic compatibility (EMC)

EN 61000-3-2:2014 Electromagnetic compatibility (EMC) -- Part 3-2: Limits - Limits for harmonic current emissions (equipment input current up to and including 16 A per phase).

EN 61000-3-3: 2013 Electromagnetic compatibility (EMC) -- Part 3-3: Limits - Limitation of voltage changes, voltage fluctuations and flicker in public low-voltage supply systems, for equipment with rated current  $\leq 16$  A per phase and not subject to conditional connection.

## 2 SUMMARY

### 2.1 GENERAL REMARKS

Date of receipt of test sample	19 June 2015
Testing commenced on	19~26 June 2015
Testing concluded on	26 June 2015

### 2.2 FINAL ASSESSMENT

The EMC requirements pertaining to the technical standards and tested operation modes are

- fulfilled.
- **not** fulfilled.

The equipment under test

- fulfils the EMC requirements cited on page 1.
- **does not** fulfil the EMC requirements cited on page 1.



### 3 EQUIPMENT UNDER TEST

#### 3.1 Power supply system utilised

Power supply voltage:  AC 230V/50Hz  
 Others

#### 3.2 Short description of the Equipment under Test (EUT)

Number of tested samples: 1  
Serial number: Prototype

#### 3.3 EUT operation mode

The equipment under test was operated during the measurement under the following conditions:

- Normal

Operating Mode: Normal

Emissions tests.....: According to EN 61000-6-3, searching for the highest disturbance.

Immunity tests .....: According to EN 61000-6-1, searching for the highest susceptibility.

Harmonic current..... : According to EN 61000-3-2, searching for the highest disturbance.

Voltage fluctuation.....: According to EN 61000-3-3, searching for the highest disturbance.

### 3.4 EUT configuration

(The CDF filled by the applicant can be viewed at the test laboratory.)

The following peripheral devices and interface cables were connected during the measurement:

Not Applicable

### 3.5 Performance level

The test results shall be classified in terms of the loss of function or degradation of performance of the equipment under test, relative to a performance level defined by its manufacturer or the requestor of the test, or agreed between the manufacturer and the purchaser of the product.

### 3.6 Definition related to the performance level

- based on the used product standard
- based on the declaration of the manufacturer, requestor or purchaser

**Criterion A:**

Definition: normal performance within limits specified by the manufacturer, requestor or purchaser:

**Criterion B:**

Definition: temporary loss of function or degradation of performance which ceases after the disturbance ceases, and from which the equipment under test recovers its normal performance, without operator intervention:

**Criterion C:**

Definition: temporary loss of function or degradation of performance, the correction of which requires operator intervention:

**Criterion D:**

Definition: loss of function or degradation of performance, which is not recoverable, owing to damage to hardware or software, or loss of data:



## 4 TEST ENVIRONMENT

### 4.1 Address of the test laboratory

GZ test site: A101, No.65, Zhuji Road, Tianhe District, Guangzhou, Guangdong, China

Tel: +86-20-85543113 (32 lines)

Fax: +86-20-38780406

### 4.2 Test facility

The test facility is recognized, certified, or accredited by the following organizations:

#### **CNAS-Lab Code: L3394**

CTS (Ningbo) Testing Service Technology Co., Ltd. has been assessed and proved to be in compliance with CNAS-CL01: 2006 Accreditation Criteria for Testing and Calibration Laboratories (identical to ISO/IEC 17025: 2005 General Requirements) for the Competence of Testing and Calibration Laboratories.

#### **IC-Registration No.: 8374A**

The 3m Alternate Test Site of CTS (Ningbo) Testing Service Technology Co., Ltd. has been registered by Certification and Engineering Bureau of Industry Canada for the performance of radiated measurements with Registration No. 8374A on May 22, 2014.

#### **FCC-Registration No.: 971995**

CTS (Ningbo) Testing Service Technology Co., Ltd., EMC Laboratory has been registered and fully described in a report filed with the FCC (Federal Communications Commission). The acceptance letter from the FCC is maintained in our files. Registration No.971995, July 13, 2012.

### 4.3 Environmental conditions

During the measurement the environmental conditions were within the listed ranges:

Temperature:	15~35 °C
Humidity:	25~75 %
Atmospheric pressure:	86~106 kPa

### 4.4 Definitions of symbols used in this test report

- - The black square indicates that the listed condition, standard or equipment is applicable for this report.
- - The empty square indicates that the listed condition, standard or equipment is **not** applicable for this report.

### 4.5 Statement of the measurement uncertainty

The data and results referenced in this document are true and accurate. The reader is cautioned that there may be errors within the calibration limits of the equipment and facilities. The measurement uncertainty was calculated for all measurements listed in this test report acc. to CISPR 16 - 4 "Specification for radio disturbance and immunity measuring apparatus and methods – Part 4: Uncertainty in EMC Measurements" and is documented in the CTS quality system acc. to DIN EN ISO/IEC 17025. Furthermore, component and process variability of devices similar to that tested may result in additional deviation. The manufacturer has the sole responsibility of continued compliance of the device.

#### 4.6 Measurement Uncertainty

Test Item	Frequency Range	Uncertainty	Note
Conduction disturbance	150kHz~30MHz	±1.22dB	(1)
Power disturbance	30MHz~300MHz	±1.38dB	(1)
Radiation emission (3m)	30MHz~300MHz	±3.14dB	(1)
	300MHz~1000MHz	±3.18dB	(1)

(1) This uncertainty represents an expanded uncertainty expressed at approximately the 95% confidence level using a coverage factor of k=2.

#### 4.7 Test Description

##### 4.7.1 Description of Standards and Results

EMISSION (EN 61000-6-3:2007+A1:2011+AC:2012)			
Description of Test Item	Standard	Limits	Results
Conducted disturbance at mains terminals	EN 61000-6-3:2007+A1:2011+AC:2012	-----	PASS
Conducted disturbance at telecommunication port	EN 61000-6-3:2007+A1:2011+AC:2012	-----	N/A
Radiated disturbance	EN 61000-6-3:2007+A1:2011+AC:2012	-----	PASS
Harmonic current emissions	EN 61000-3-2:2014	Class A	PASS
Voltage fluctuations & flicker	EN 61000-3-3:2013	-----	PASS
IMMUNITY (EN 61000-6-1:2007)			
Description of Test Item	Basic Standard	Performance Criteria	Results
Electrostatic discharge (ESD)	IEC 61000-4-2: 2008	B	PASS
Radio-frequency, Continuous radiated disturbance	IEC 61000-4-3:2006 +A1:2007+A2:2010	A	PASS
Electrical fast transient (EFT)	IEC 61000-4-4:2012	B	PASS
Surge (Input a.c. power ports)	IEC 61000-4-5: 2005	B	PASS
Surge (Telecommunication ports)		B	N/A
Radio-frequency, Continuous conducted disturbance	IEC 61000-4-6: 2008	A	PASS
Power frequency magnetic field	IEC 61000-4-8: 2009	A	PASS
Voltage dips, >95% reduction	IEC 61000-4-11: 2004	B	PASS
Voltage dips, 30% reduction		B	PASS
Voltage interruptions		C	PASS
N/A is an abbreviation for Not Applicable.			

Copyright of this report is owned by Centre of Testing Service and may not be reproduced other than in full except with the written approval of the issuing Company.

#### CTS (Ningbo) Testing Service Technology Co., Ltd.

2/F., South Tower, Huoju Building, No.181, Canghai Road, Jiangdong Science and Technology Park, Ningbo, Zhejiang, China

Tel: +86-20-85543113 (32 lines)

Fax: +86-20-38780406

Complaint line: +86-20-85533471

E-mail: cts@cts-lab.com.cn

See Reverse For Terms And Conditions of Service

## 5 TEST CONDITIONS AND RESULTS

### 5.1 Conducted disturbance

For test instruments and accessories used see section 6 part 6.2.

#### 5.1.1 Description of the test location

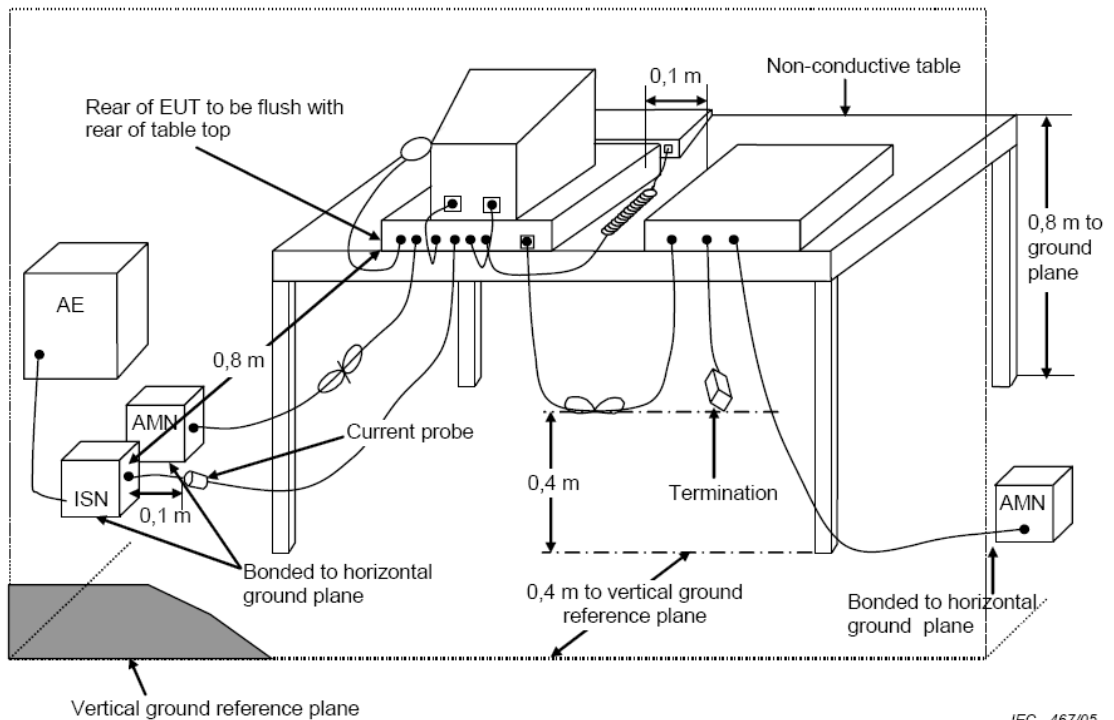
Test location: Shielded room

#### 5.1.2 Description of the test set-up

##### 5.1.2.1 Operating Condition

The EUT is normal during the test, and the results of the maximum emanation are recorded

##### 5.1.2.2 Block Diagram of Test Setup



#### 5.1.3 Limits disturbance

Frequency	Maximum RF Line Voltage (dB $\mu$ V)	
	Quasi-peak Level	Average Level
150kHz ~ 500kHz	66 ~ 56 *	56 ~ 46 *
500kHz ~ 5MHz	56	46
5MHz ~ 30MHz	60	50

Note: (1) The tighter limit shall apply at the edge between two frequency bands.

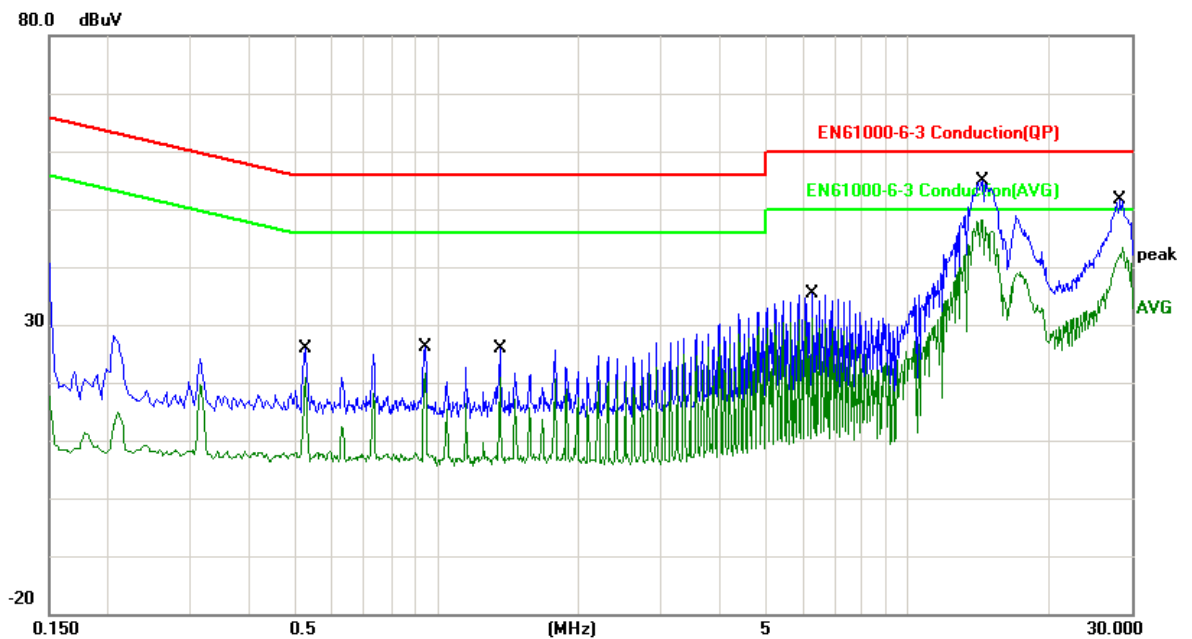
**5.1.4 Test result**

The requirements are	<b>Fulfilled</b>
Band width	9kHz
Frequency range	0.15 MHz - 30 MHz
Min. limit margin	>2.88 dB at 0.15 - 30 MHz

**Remarks:** The limits are kept. For detailed results, please see the following page(s).

5.1.5 Test protocol

Test point	L	Result:	■ - passed
Operation mode	Normal		□ - not passed
Remarks:			
EUT	SWITCHING POWER SUPPLY		
MODEL NO.	S		
Operating Condition	AC 230V/50Hz		
Test Condition	Ambient Temperature: 24°C Humidity: 56%		
Operator	Eric		



No.	Frequency (MHz)	Factor (dB)	Reading (dBuV)	Level (dBuV)	Limit (dBuV)	Margin (dB)	Detector
1	0.5260	10.91	12.55	23.46	56.00	-32.54	QP
2	0.5260	10.91	9.60	20.51	46.00	-25.49	AVG
3	0.9460	10.90	12.87	23.77	56.00	-32.23	QP
4	0.9460	10.90	10.25	21.15	46.00	-24.85	AVG
5	1.3660	10.92	12.46	23.38	56.00	-32.62	QP
6	1.3660	10.92	9.97	20.89	46.00	-25.11	AVG
7	6.2940	11.13	21.85	32.98	60.00	-27.02	QP
8	6.2940	11.13	19.05	30.18	50.00	-19.82	AVG
9	14.5020	11.01	40.21	51.22	60.00	-8.78	QP
10	14.5020	11.01	35.02	46.03	50.00	-3.97	AVG
11	28.4140	11.20	37.08	48.28	60.00	-11.72	QP
12	28.4140	11.20	31.13	42.33	50.00	-7.67	AVG

Copyright of this report is owned by Centre of Testing Service and may not be reproduced other than in full except with the written approval of the issuing Company.

**CTS (Ningbo) Testing Service Technology Co., Ltd.**

2/F., South Tower, Huoju Building, No.181, Canghai Road, Jiangdong Science and Technology Park, Ningbo, Zhejiang, China

Tel: +86-20-85543113 (32 lines)

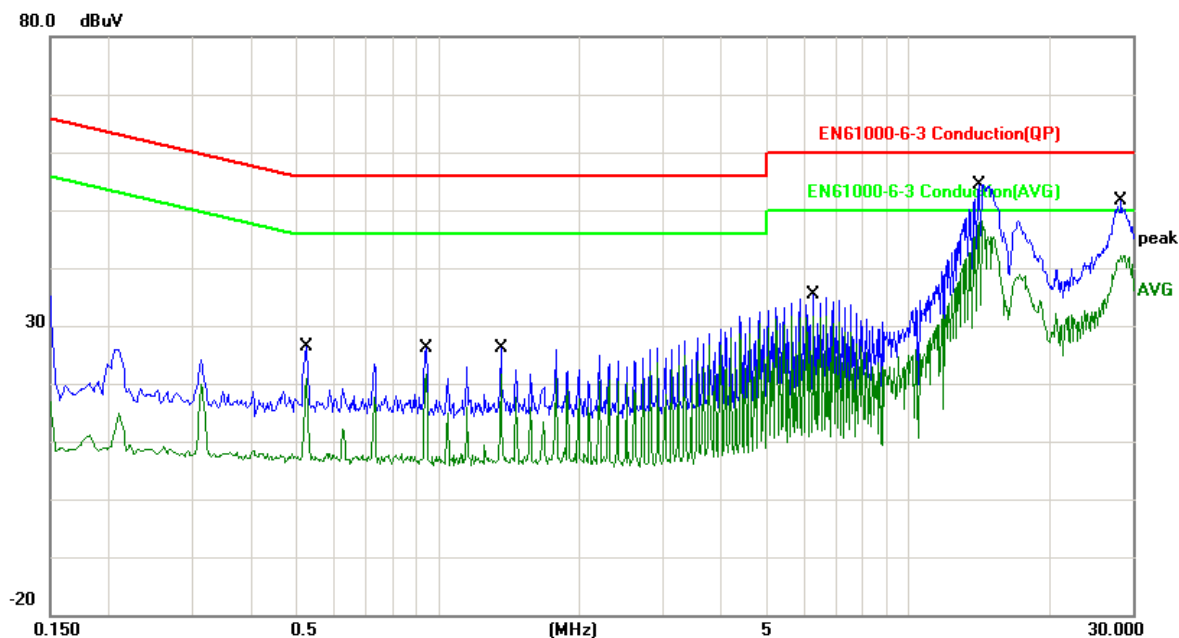
Fax: +86-20-38780406

Complaint line: +86-20-85533471

E-mail: cts@cts-lab.com.cn

See Reverse For Terms And Conditions of Service

Test point:	N	Result:	■ - passed
Operation mode:	Normal		□ - not passed
Remarks:			



No.	Frequency (MHz)	Factor (dB)	Reading (dBuV)	Level (dBuV)	Limit (dBuV)	Margin (dB)	Detector
1	0.5260	10.90	12.74	23.64	56.00	-32.36	QP
2	0.5260	10.90	9.69	20.59	46.00	-25.41	AVG
3	0.9460	10.89	12.85	23.74	56.00	-32.26	QP
4	0.9460	10.89	10.28	21.17	46.00	-24.83	AVG
5	1.3660	10.90	12.23	23.13	56.00	-32.87	QP
6	1.3660	10.90	9.88	20.78	46.00	-25.22	AVG
7	6.2940	11.10	22.97	34.07	60.00	-25.93	QP
8	6.2940	11.10	21.83	32.93	50.00	-17.07	AVG
9	14.1980	11.00	41.06	52.06	60.00	-7.94	QP
10	14.1980	11.00	36.12	47.12	50.00	-2.88	AVG
11	28.4220	11.14	36.66	47.80	60.00	-12.20	QP
12	28.4220	11.14	31.20	42.34	50.00	-7.66	AVG

Note: Level=Reading+Factor. Margin= Limit-Level

Copyright of this report is owned by Centre of Testing Service and may not be reproduced other than in full except with the written approval of the issuing Company.

**CTS (Ningbo) Testing Service Technology Co., Ltd.**

2/F., South Tower, Huoju Building, No.181, Canghai Road, Jiangdong Science and Technology Park, Ningbo, Zhejiang, China

Tel: +86-20-85543113 (32 lines)

Fax: +86-20-38780406

Complaint line: +86-20-85533471

E-mail: cts@cts-lab.com.cn

See Reverse For Terms And Conditions of Service

**5.2 Radiated disturbance (electric field)**

For test instruments and accessories used see section 6 part 6.1.

**5.2.1 Description of the test location**

Test location : Semi-Anechoic chamber

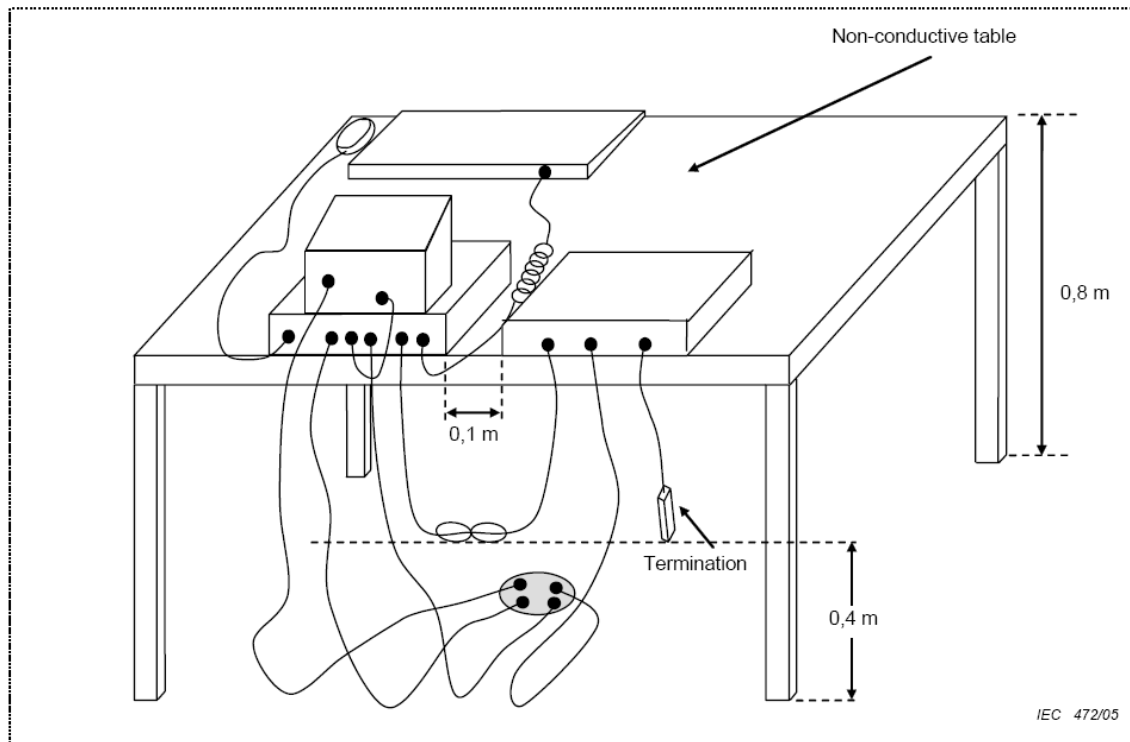
Test disturbance: 3 Meter

**5.2.2 Description of the test set-up**

**5.2.2.1 Operating Condition**

The EUT is normal during the test, and the results of the maximum emanation are recorded

**5.2.2.2 Block Diagram of Test Setup**



**5.2.3 Limits of disturbance**

Frequency (MHz)	Distance (Meters)	Field Strengths Limits (dB $\mu$ V/m)
30 ~ 230	3	40
230 ~ 1000	3	47

Note: (1) The tighter limit shall apply at the edge between two frequency bands.  
 (2) Distance refers to the distance in meters between the test instrument antenna and the closest point of any part of the E.U.T.

Copyright of this report is owned by Centre of Testing Service and may not be reproduced other than in full except with the written approval of the issuing Company.

**5.2.4 Test result**

The requirements are	<b>Fulfilled</b>
Band width	120kHz
Frequency range	30 MHz - 1000 MHz
Min. limit margin	>1.48 dB at 30 - 1000 MHz

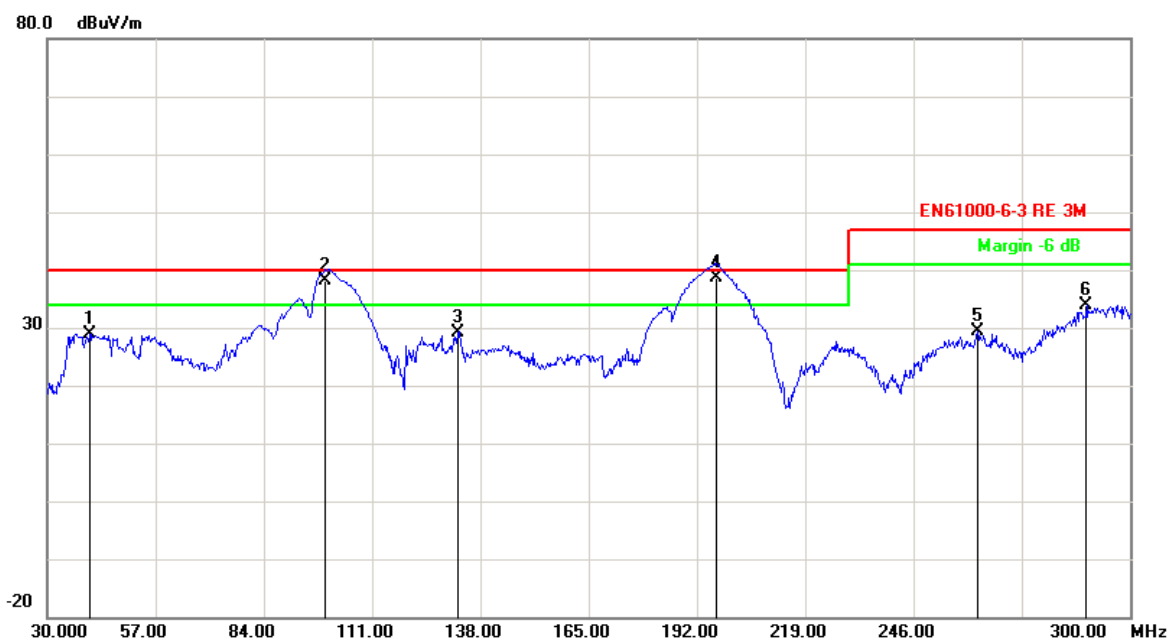
**Remarks:** The limits are kept. For detailed results, please see the following page(s).



5.2.5 Test protocol

Test point:	Horizontal	Result:	<input checked="" type="checkbox"/> - passed
Operation mode	Normal		<input type="checkbox"/> - not passed
Remarks:			

EUT	SWITCHING POWER SUPPLY
MODEL NO.	S
Operating Condition	AC 230V/50Hz
Test Condition	Ambient Temperature: 24°C Humidity: 56%
Operator	Eric



No.	Frequency (MHz)	Factor (dB/m)	Reading (dBuV)	Level (dBuV/m)	Limit (dBuV/m)	Margin (dB)	Det.
1	40.7999	-17.43	46.41	28.98	40.00	-11.02	QP
2	99.3900	-18.28	56.34	38.06	40.00	-1.94	QP
3	132.5999	-16.12	45.37	29.25	40.00	-10.75	QP
4	196.8600	-12.94	51.46	38.52	40.00	-1.48	QP
5	261.9300	-10.68	40.02	29.34	47.00	-17.66	QP
6	289.1999	-4.31	38.14	33.83	47.00	-13.17	QP

Copyright of this report is owned by Centre of Testing Service and may not be reproduced other than in full except with the written approval of the issuing Company.

**CTS (Ningbo) Testing Service Technology Co., Ltd.**

2/F., South Tower, Huoju Building, No.181, Canghai Road, Jiangdong Science and Technology Park, Ningbo, Zhejiang, China

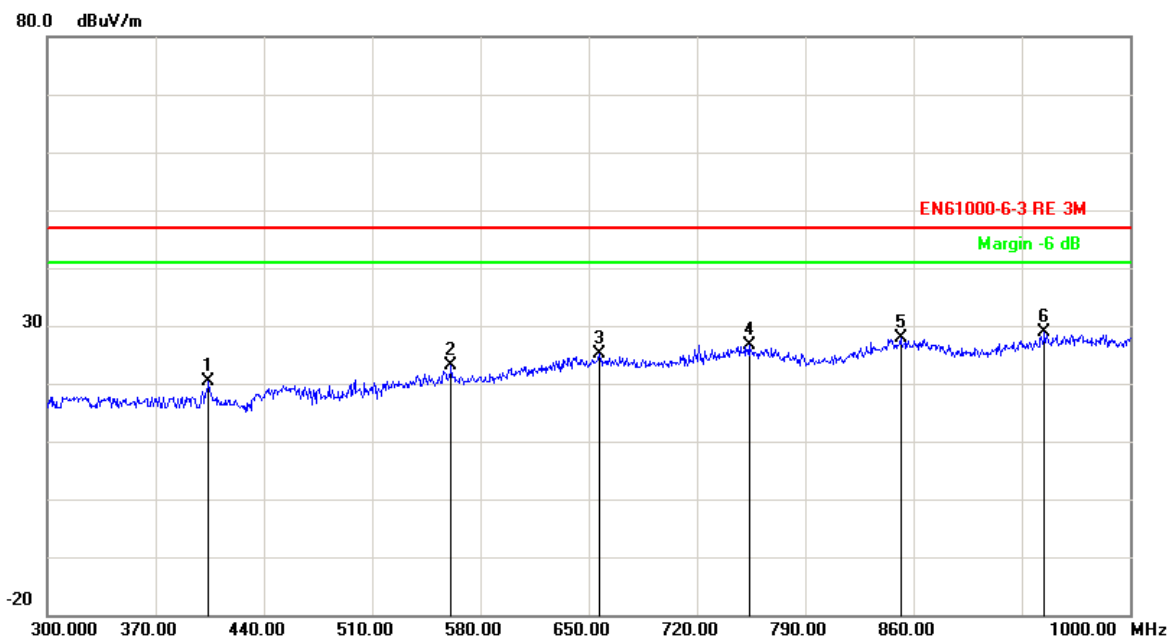
Tel: +86-20-85543113 (32 lines)

Fax: +86-20-38780406

Complaint line: +86-20-85533471

E-mail: cts@cts-lab.com.cn

See Reverse For Terms And Conditions of Service



No.	Frequency (MHz)	Factor (dB/m)	Reading (dBuV)	Level (dBuV/m)	Limit (dBuV/m)	Margin (dB)	Det.
1	404.3000	-10.33	30.63	20.30	47.00	-26.70	QP
2	561.1000	-5.65	28.86	23.21	47.00	-23.79	QP
3	657.0000	-3.30	28.38	25.08	47.00	-21.92	QP
4	753.6000	-1.72	28.43	26.71	47.00	-20.29	QP
5	851.6000	-0.34	28.18	27.84	47.00	-19.16	QP
6	944.7000	0.19	28.71	28.90	47.00	-18.10	QP

Copyright of this report is owned by Centre of Testing Service and may not be reproduced other than in full except with the written approval of the issuing Company.

**CTS (Ningbo) Testing Service Technology Co., Ltd.**

2/F., South Tower, Huoju Building, No.181, Canghai Road, Jiangdong Science and Technology Park, Ningbo, Zhejiang, China

Tel: +86-20-85543113 (32 lines)

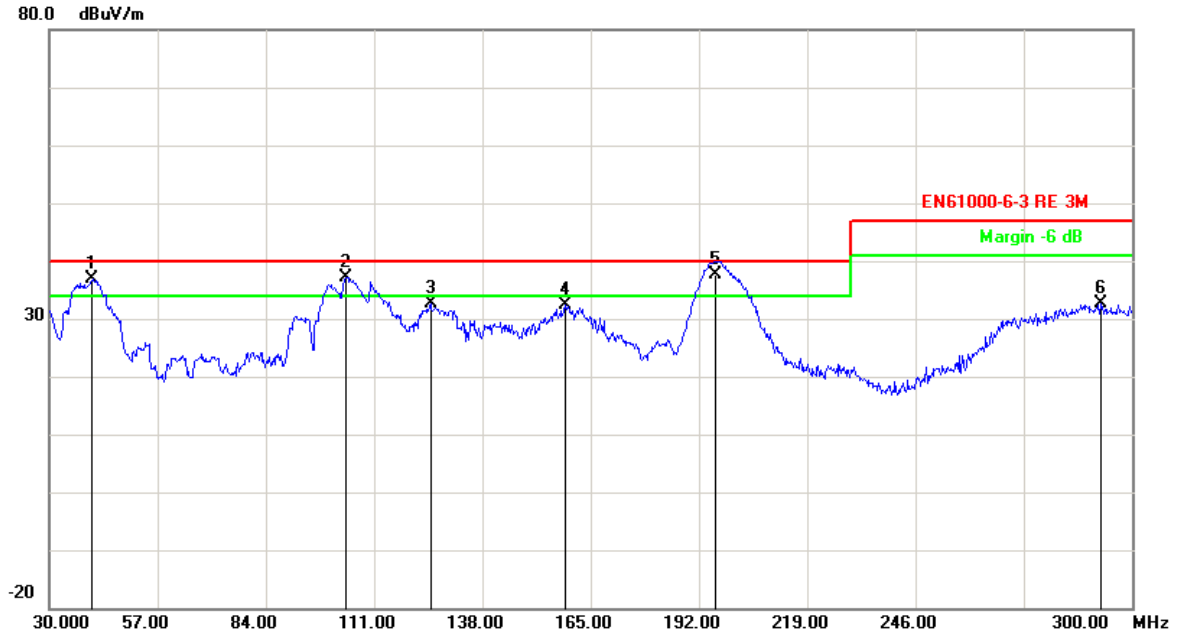
Fax: +86-20-38780406

Complaint line: +86-20-85533471

E-mail: cts@cts-lab.com.cn

See Reverse For Terms And Conditions of Service

Test point:	Vertical	Result:	<input checked="" type="checkbox"/> - passed
Operation mode:	Normal		<input type="checkbox"/> - not passed
Remarks:			



No.	Frequency (MHz)	Factor (dB/m)	Reading (dBuV)	Level (dBuV/m)	Limit (dBuV/m)	Margin (dB)	Det.
1	40.7999	-17.43	54.32	36.89	40.00	-3.11	QP
2	103.9800	-17.85	55.07	37.22	40.00	-2.78	QP
3	125.0400	-16.43	49.12	32.69	40.00	-7.31	QP
4	158.5200	-15.97	48.26	32.29	40.00	-7.71	QP
5	196.0500	-13.11	50.69	37.58	40.00	-2.42	QP
6	292.1700	-3.49	36.15	32.66	47.00	-14.34	QP

Copyright of this report is owned by Centre of Testing Service and may not be reproduced other than in full except with the written approval of the issuing Company.

**CTS (Ningbo) Testing Service Technology Co., Ltd.**

2/F., South Tower, Huoju Building, No.181, Canghai Road, Jiangdong Science and Technology Park, Ningbo, Zhejiang, China

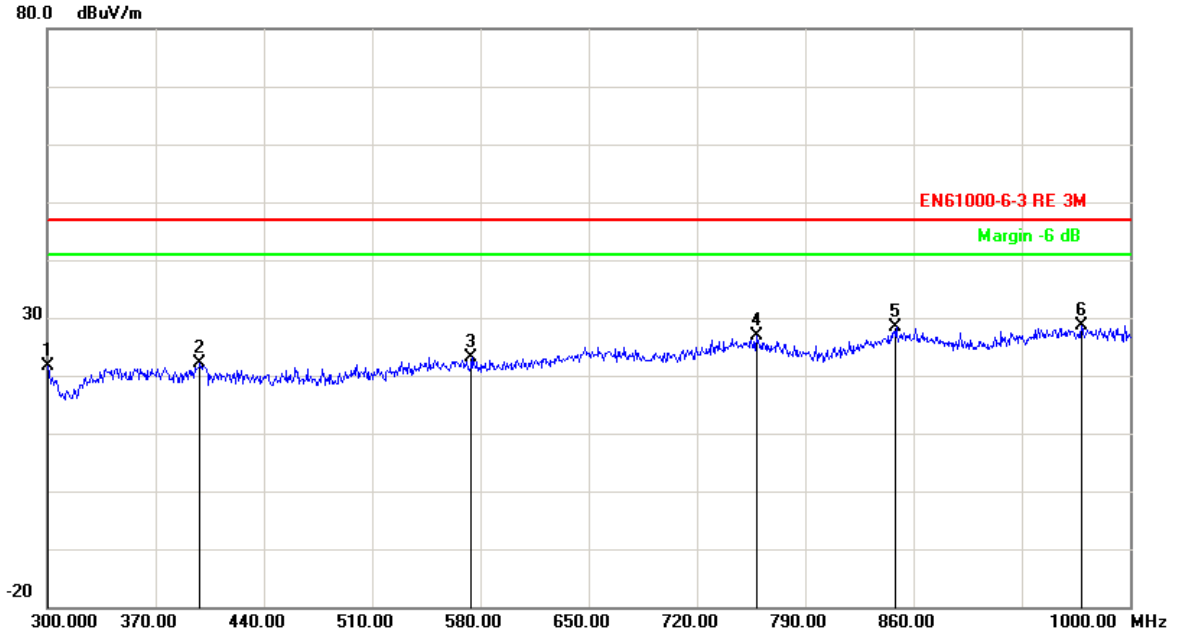
Tel: +86-20-85543113 (32 lines)

Fax: +86-20-38780406

Complaint line: +86-20-85533471

E-mail: cts@cts-lab.com.cn

See Reverse For Terms And Conditions of Service



No.	Frequency (MHz)	Factor (dB/m)	Reading (dBuV)	Level (dBuV/m)	Limit (dBuV/m)	Margin (dB)	Det.
1	300.6999	-13.59	35.29	21.70	47.00	-25.30	QP
2	398.6999	-10.53	32.62	22.09	47.00	-24.91	QP
3	574.3999	-5.62	28.73	23.11	47.00	-23.89	QP
4	758.5000	-1.88	28.71	26.83	47.00	-20.17	QP
5	848.7999	-0.36	28.86	28.50	47.00	-18.50	QP
6	968.5000	0.25	28.34	28.59	47.00	-18.41	QP

Note: Level=Reading+Factor. Margin= Limit-Level

Copyright of this report is owned by Centre of Testing Service and may not be reproduced other than in full except with the written approval of the issuing Company.

**CTS (Ningbo) Testing Service Technology Co., Ltd.**

2/F., South Tower, Huoju Building, No.181, Canghai Road, Jiangdong Science and Technology Park, Ningbo, Zhejiang, China

Tel: +86-20-85543113 (32 lines)

Fax: +86-20-38780406

Complaint line: +86-20-85533471

E-mail: cts@cts-lab.com.cn

See Reverse For Terms And Conditions of Service

### 5.3 Harmonic current

For test instruments and accessories used see section 6 part 6.3.

#### 5.3.1 Description of the test location

Test location : Test location no. 1

#### 5.3.2 Limits of harmonic current

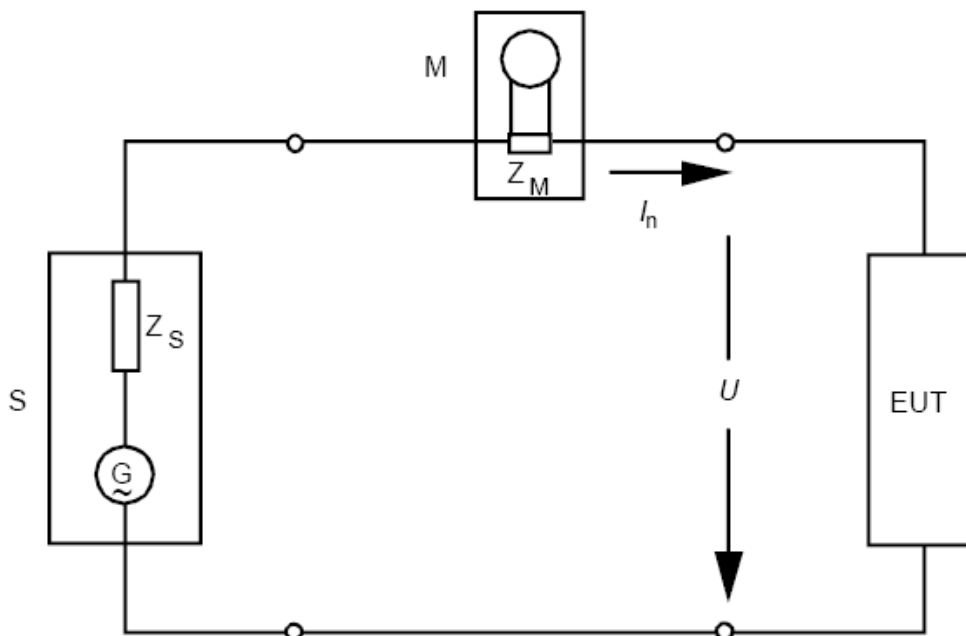
Test configuration and procedure see clause 7.1 of standard EN 61000-3-2:2014.

#### 5.3.3 Description of the test set-up

##### 5.3.3.1 Operating Condition

The EUT is normal during the test, and the results of the maximum emanation are recorded

##### 5.3.3.2 Block Diagram of Test Setup



#### 5.3.4 Test result

The requirements are **Fulfilled**

**Remarks:** The limits are kept. For detailed results, please see the following page(s).

## 5.3.5 Test protocol

Operation mode	Normal	Result:	<input checked="" type="checkbox"/> - passed <input type="checkbox"/> - not passed
Remarks:			

Standard used:	EN 61000-3-2 Quasi-Stationary – Equipment class A
Observation time:	5 min
Windows width:	10 periods – (EN/IEC 61000-4-7 Edition 2002)
Mains supply voltage:	AC 230V/50Hz
Ambient Temperature:	24°C
Humidity:	56%
Barometric Pressure:	86~106KPa
E. U. T.:	SWITCHING POWER SUPPLY
M/N:	S
Date of test:	26 June 2015
Tester:	Eric

**Test result**

E. U. T.:	PASS
Power Source:	PASS

**Check harmonics 2..40 [exception odd 21..39]:**

Harmonic(s) > 150%:	
Order (n):	None
Harmonic(s) with average > 100%:	
Order (n):	None

**Check odd harmonics 21..39:**

<b>All Partial Odd Harmonics below partial limits.</b>
Harmonic(s) > 150%: Order (n): None
Harmonic(s) with average > 150%: Order (n): None

Copyright of this report is owned by Centre of Testing Service and may not be reproduced other than in full except with the written approval of the issuing Company.

**CTS (Ningbo) Testing Service Technology Co., Ltd.**

2/F., South Tower, Huoju Building, No.181, Canghai Road, Jiangdong Science and Technology Park, Ningbo, Zhejiang, China

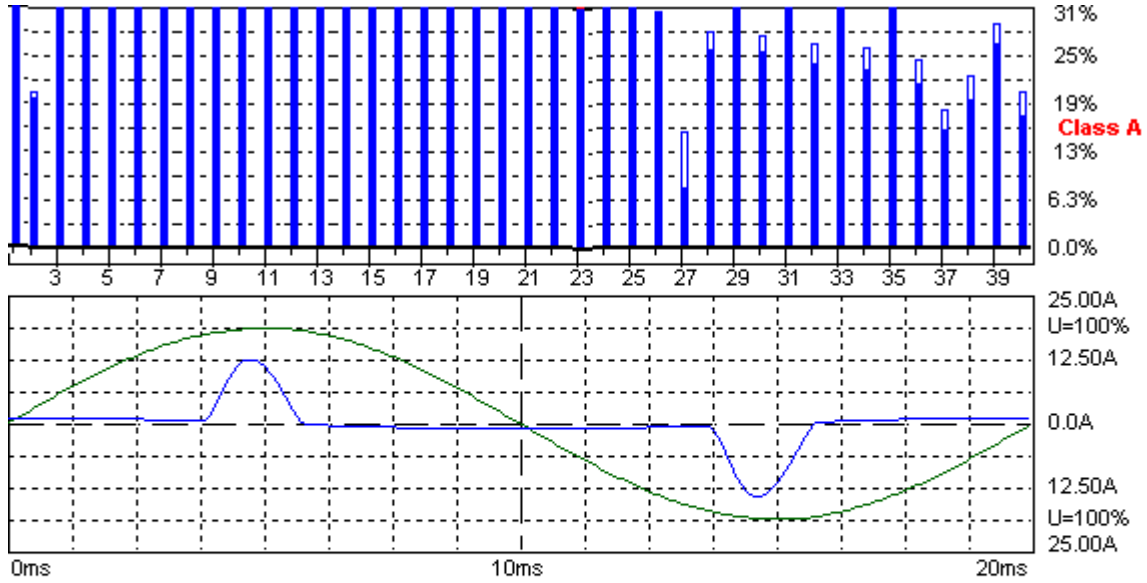
Tel: +86-20-85543113 (32 lines)

Fax: +86-20-38780406

Complaint line: +86-20-85533471

E-mail: cts@cts-lab.com.cn

See Reverse For Terms And Conditions of Service



**Harmonic Emission - IEC 61000-3-2, EN 61000-3-2, (EN60555-2)**

2015-6-26 13:34:04

Urms = 229.7 V    P = 499.4 W    THD(I) = 144 %    Range: 25 A  
 Irms = 4.114 A    pf = 0.529    H1 (I) = 2.374 A    V-nom: 230 V  
 TestTime: 10 min (100%)

Eric

**Test completed, Result: PASSED**

HAR-1000 EMC-Parber

Order	Freq. [Hz]	Irms [A]	Imax [A]	Limit [A]	Status	Remark
1	50	2.3743	2.3804			
2	100	0.2090	0.2167	1.0800		
3	150	2.0538	2.0569	2.3000		
4	200	0.1984	0.2029	0.4300		
5	250	1.1005	1.1036	1.1400		
6	300	0.1801	0.1831	0.3000		
7	350	0.6633	0.6664	0.7700		
8	400	0.1572	0.1602	0.2300		
9	450	0.3803	0.3849	0.4000		
10	500	0.1312	0.1358	0.1840		
11	550	0.2080	0.2141	0.3300		
12	600	0.1053	0.1083	0.1533		
13	650	0.1799	0.1860	0.2100		
14	700	0.0824	0.0854	0.1314		
15	750	0.1419	0.1450	0.1500		
16	800	0.0641	0.0656	0.1150		
17	850	0.0671	0.0854	0.1324		
18	900	0.0519	0.0519	0.1022		
19	950	0.1021	0.1028	0.1184		
20	1000	0.0427	0.0427	0.0920		

Copyright of this report is owned by Centre of Testing Service and may not be reproduced other than in full except with the written approval of the issuing Company.

**CTS (Ningbo) Testing Service Technology Co., Ltd.**

2/F., South Tower, Huoju Building, No.181, Canghai Road, Jiangdong Science and Technology Park, Ningbo, Zhejiang, China

Tel: +86-20-85543113 (32 lines)

Fax: +86-20-38780406

Complaint line: +86-20-85533471

E-mail: cts@cts-lab.com.cn

See Reverse For Terms And Conditions of Service

21	1050	0.1003	0.1008	0.1071		
22	1100	0.0351	0.0351	0.0836		
23	1150	0.0977	0.0992	0.0978		
24	1200	0.0275	0.0290	0.0767		
25	1250	0.0519	0.0534	0.0900		
26	1300	0.0214	0.0214	0.0708		
27	1350	0.0061	0.0122	0.0833		
28	1400	0.0168	0.0183	0.0657		
29	1450	0.0290	0.0351	0.0776		
30	1500	0.0153	0.0168	0.0613		
31	1550	0.0458	0.0473	0.0726		
32	1600	0.0137	0.0153	0.0575		
33	1650	0.0351	0.0366	0.0682		
34	1700	0.0122	0.0137	0.0541		
35	1750	0.0244	0.0259	0.0643		
36	1800	0.0107	0.0122	0.0511		
37	1850	0.0092	0.0107	0.0608		
38	1900	0.0092	0.0107	0.0484		
39	1950	0.0153	0.0168	0.0577		
40	2000	0.0076	0.0092	0.0460		

Copyright of this report is owned by Centre of Testing Service and may not be reproduced other than in full except with the written approval of the issuing Company.

**CTS (Ningbo) Testing Service Technology Co., Ltd.**

2/F., South Tower, Huoju Building, No.181, Canghai Road, Jiangdong Science and Technology Park, Ningbo, Zhejiang, China

Tel: +86-20-85543113 (32 lines)

Fax: +86-20-38780406

Complaint line: +86-20-85533471

E-mail: [cts@cts-lab.com.cn](mailto:cts@cts-lab.com.cn)

See Reverse For Terms And Conditions of Service



## 5.4 Voltage fluctuations and flicker

For test instruments and accessories used see section 6 part 6.4.

### 5.4.1 Description of the test location

Test location : Test location no. 1

### 5.4.2 Limits of voltage fluctuation and flicker

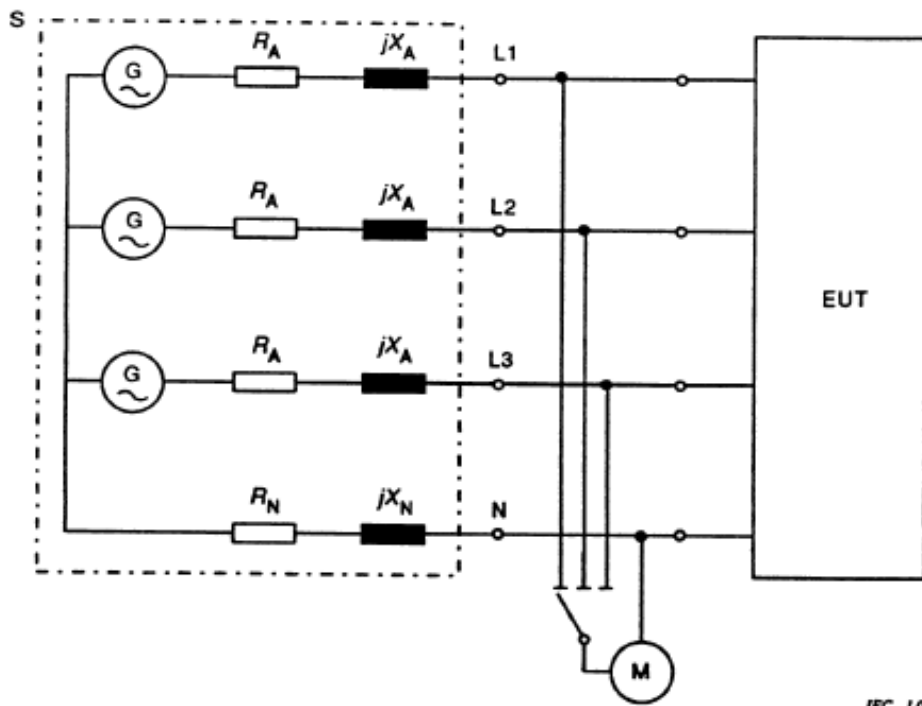
Test configuration and procedure see clause 5 of standard EN 61000-3-3: 2013.

### 5.4.3 Description of the test set-up

#### 5.4.3.1 Operating Condition

The EUT is normal during the test, and the results of the maximum emanation are recorded

#### 5.4.3.2 Block Diagram of Test Setup



Copyright of this report is owned by Centre of Testing Service and may not be reproduced other than in full except with the written approval of the issuing Company.

#### CTS (Ningbo) Testing Service Technology Co., Ltd.

2/F., South Tower, Huoju Building, No.181, Canghai Road, Jiangdong Science and Technology Park, Ningbo, Zhejiang, China

Tel: +86-20-85543113 (32 lines)

Fax: +86-20-38780406

Complaint line: +86-20-85533471

E-mail: cts@cts-lab.com.cn

See Reverse For Terms And Conditions of Service

#### 5.4.4 Test result

The requirements are **Fulfilled**

Remarks: The limits are kept. For detailed results, please see the following page(s).

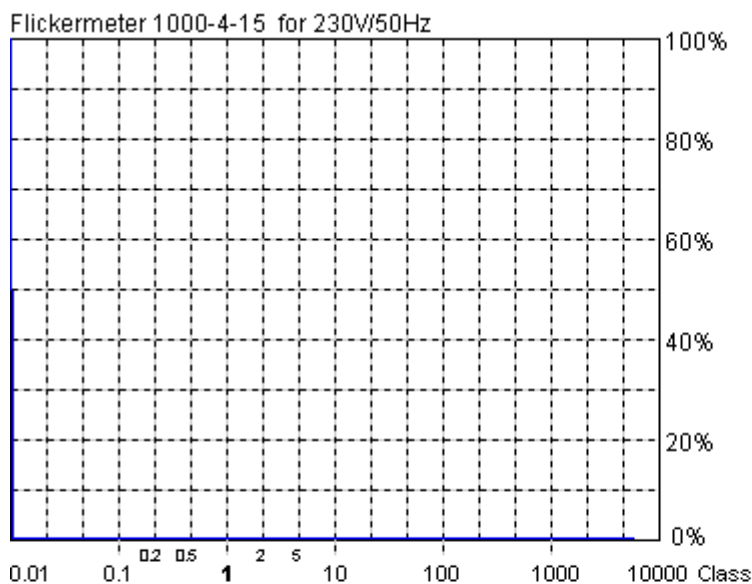
#### 5.4.5 Test protocol

Operation mode	Normal	Result:	<input checked="" type="checkbox"/> - passed
Remarks:			<input type="checkbox"/> - not passed

Standard used:	EN 61000-3-3 Flicker
Short time (Pst):	1 min
Observation time:	10 min (1 Flicker measurement)
Flickermeter:	AC 230V/50Hz
Ambient Temperature:	24°C
Humidity:	56%
Barometric Pressure:	86~106KPa
E. U. T.:	SWITCHING POWER SUPPLY
M/N:	S
Date of test:	26 June 2015
Tester:	<b>Eric</b>

#### Maximum Flicker results

	EUT values	Limit	Result
Pst	0.07	1.00	PASS
dc [%]	0.01	3.30	PASS
dmax [%]	0.00	4.00	PASS
dt [s]	0.00	0.50	PASS



<b>Actual Flicker (Fli):</b>	<b>0.00</b>
<b>Short-term Flicker (Pst):</b>	<b>0.07</b>
Limit (Pst):	1.00
<b>Long-term Flicker (Plt):</b>	<b>0.07</b>
Limit (Plt):	0.65
<b>Maximum Relative Volt. Change (dmax):</b>	<b>0.00%</b>
Limit (dmax):	4.00%
<b>Relative Steady-state Voltage Change (dc):</b>	<b>0.01%</b>
Limit (dc):	3.30%
<b>Maximum Interval exceeding 3.30% (dt):</b>	<b>0.00ms</b>
Limit (dt>Lim):	200ms

**Flicker Emission - IEC 61000-3-3 , EN 61000-3-3 , (EN60555-3)**

Urms = 228.9 V      P = 497.0 W  
 Irms = 3.687 A      pf = 0.589

Eric

**Test completed, Result: PASSED**

2015-6-26 13:53:13

Range: 25 A  
 V-nom: 230 V  
 TestTime: 10 min (100%)

HAR-1000 EMC-Parber

Copyright of this report is owned by Centre of Testing Service and may not be reproduced other than in full except with the written approval of the issuing Company.

**CTS (Ningbo) Testing Service Technology Co., Ltd.**

2/F., South Tower, Huoju Building, No.181, Canghai Road, Jiangdong Science and Technology Park, Ningbo, Zhejiang, China

Tel: +86-20-85543113 (32 lines)

Fax: +86-20-38780406

Complaint line: +86-20-85533471

E-mail: cts@cts-lab.com.cn

See Reverse For Terms And Conditions of Service

## 5.5 Electrostatic discharge

For test instruments and accessories used see section 6 part 6.5.

### 5.5.1 Description of the test location

Test location :	Test location no. 2
Power supply:	AC 230V/50Hz
Test condition:	Ambient Temperature: 24°C, Humidity:56%
Date of test :	19~26 June 2015
Operator :	<b>Eric</b>

### 5.5.2 Severity of levels electrostatic discharge

5.5.2.1 Severity level: Contact discharge at  $\pm 4KV$  air discharge at  $\pm 8KV$

Level	Test Voltage Contact Discharge (kV)	Test Voltage Air Discharge (kV)
1	2	2
2	4	4
3	6	8
4	8	15
X	Special	Special

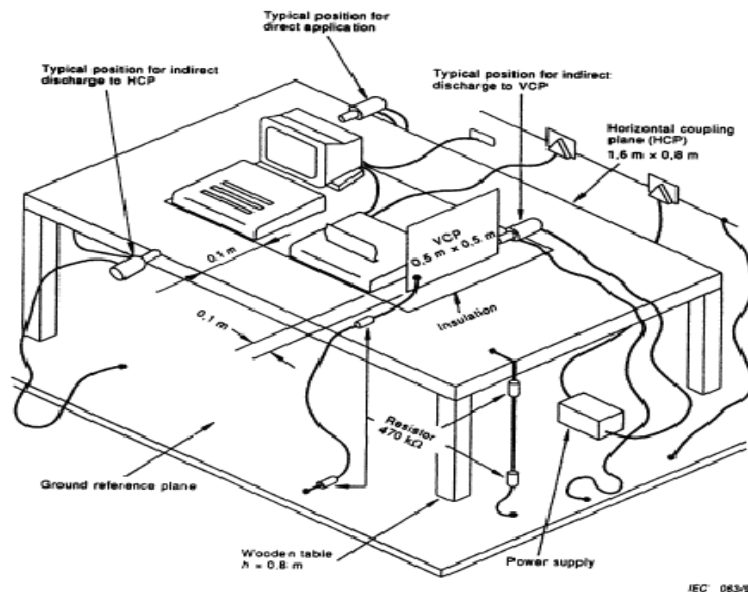
5.5.2.2 Performance criterion: B

### 5.5.3 Description of the test set-up

#### 5.5.3.1 Operating Condition

The EUT is normal during the test, and the results of the maximum emanation are recorded

#### 5.5.3.2 Block Diagram of Test Setup



Copyright of this report is owned by Centre of Testing Service and may not be reproduced other than in full except with the written approval of the issuing Company.

#### CTS (Ningbo) Testing Service Technology Co., Ltd.

2/F., South Tower, Huoju Building, No.181, Canghai Road, Jiangdong Science and Technology Park, Ningbo, Zhejiang, China

Tel: +86-20-85543113 (32 lines)

Fax: +86-20-38780406

Complaint line: +86-20-85533471

E-mail: cts@cts-lab.com.cn

See Reverse For Terms And Conditions of Service

## 5.5.4 Test specification:

Contact discharge voltage:	<input checked="" type="checkbox"/> 2 kV	<input checked="" type="checkbox"/> 4 kV	
Air discharge voltage:	<input checked="" type="checkbox"/> 2 kV	<input checked="" type="checkbox"/> 4 kV	<input checked="" type="checkbox"/> 8 kV
Discharge impedance:	<input checked="" type="checkbox"/> 330 $\Omega$ / 150 pF		
Discharge factor:	<input checked="" type="checkbox"/> $\geq 1$ sec.		
Number of discharges:	<input checked="" type="checkbox"/> $\geq 10$		
Type of discharge:	Direct discharge	<input checked="" type="checkbox"/> Air discharge	
		<input checked="" type="checkbox"/> Contact discharge	
	Indirect discharge	<input checked="" type="checkbox"/> Contact discharge	
Polarity:	<input checked="" type="checkbox"/> Positive	<input checked="" type="checkbox"/> Negative	
Discharge location:	<input checked="" type="checkbox"/> see photo documentation of the test set-up		
	<input checked="" type="checkbox"/> all external locations accessible by hand		
	<input checked="" type="checkbox"/> horizontal plate (HCP)		
	<input checked="" type="checkbox"/> vertical coupling plate (VCP)		

## 5.5.5 Test result

The requirements are **Fulfilled**Performance Criterion: **B**

**Remarks:** During the test no deviation was detected to the selected operation mode(s).

## 5.6 Radiated, radio-frequency, electromagnetic field

For test instruments and accessories used see section 6 part 6.6.

### 5.6.1 Description of the test location

Test location :	GTEM chamber
Power supply:	AC 230V/50Hz
Test condition:	Ambient Temperature: 24°C, Humidity:56%
Date of test :	19~26 June 2015
Operator :	<b>Eric</b>

### 5.6.2 Severity levels of radiated, Radio-frequency, electromagnetic field

#### 5.6.2.1 Severity level: 3V/m and 1V/m

Level	Field strenght(V/m)
1	1
2	3
3	10
X	Special

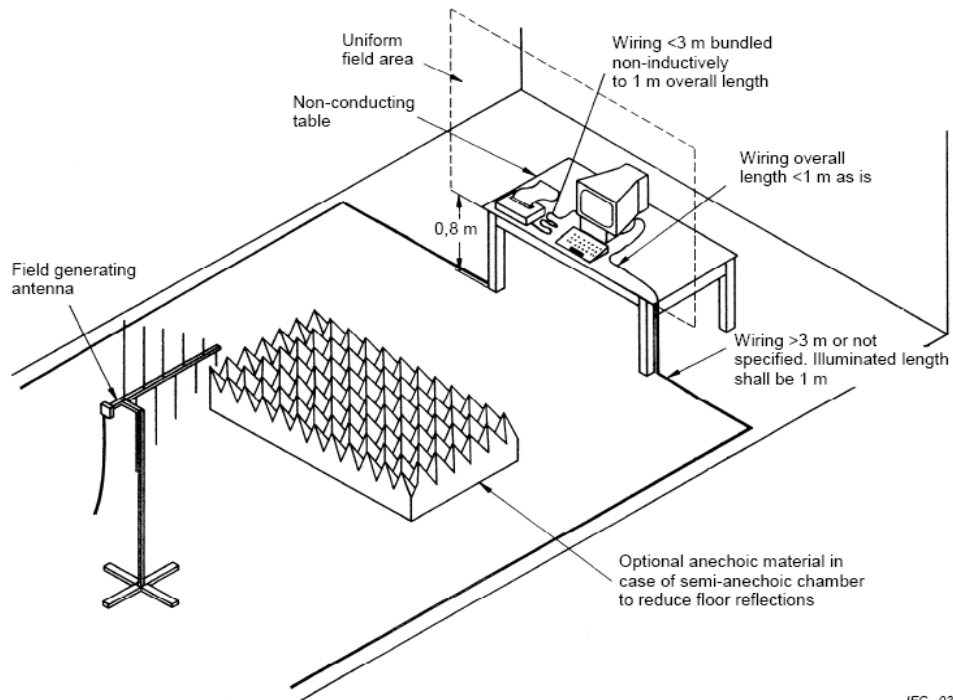
#### 5.6.2.2 Performance criterion: A

### 5.6.3 Description of the test set-up

#### 5.6.3.1 Operating Condition

The EUT is normal during the test, and the results of the maximum emanation are recorded

#### 5.6.3.2 Block Diagram of Test Setup



Copyright of this report is owned by Centre of Testing Service and may not be reproduced other than in full except with the written approval of the issuing Company.

#### CTS (Ningbo) Testing Service Technology Co., Ltd.

2/F., South Tower, Huoju Building, No.181, Canghai Road, Jiangdong Science and Technology Park, Ningbo, Zhejiang, China

Tel: +86-20-85543113 (32 lines)

Fax: +86-20-38780406

Complaint line: +86-20-85533471

E-mail: cts@cts-lab.com.cn

See Reverse For Terms And Conditions of Service

#### 5.6.4 Test specification:

Frequency range:	■ 80 MHz to 1000 MHz
Field strength:	■ 3 V/m
EUT - antenna separation:	■ 3 m
Modulation:	■ AM: 80 % ■ sinusoidal 1000Hz
Frequency step:	■ 1 % with 3 s dwell time
Antenna polarisation:	■ horizontal      ■ vertical

Frequency range:	■ 1400 MHz to 2000 MHz
Field strength:	■ 3 V/m
EUT - antenna separation:	■ 3 m
Modulation:	■ AM: 80 % ■ sinusoidal 1000Hz
Frequency step:	■ 1 % with 3 s dwell time
Antenna polarisation:	■ horizontal      ■ vertical

Frequency range:	■ 2000 MHz to 2700 MHz
Field strength:	■ 1 V/m
EUT - antenna separation:	■ 3 m
Modulation:	■ AM: 80 % ■ sinusoidal 1000Hz
Frequency step:	■ 1 % with 3 s dwell time
Antenna polarisation:	■ horizontal      ■ vertical

#### 5.6.5 Test result

The requirements are **Fulfilled**

Performance Criterion: **A**

**Remarks:** During the test no deviation was detected to the selected operation mode(s).

Copyright of this report is owned by Centre of Testing Service and may not be reproduced other than in full except with the written approval of the issuing Company.

#### CTS (Ningbo) Testing Service Technology Co., Ltd.

2/F., South Tower, Huoju Building, No.181, Canghai Road, Jiangdong Science and Technology Park, Ningbo, Zhejiang, China

Tel: +86-20-85543113 (32 lines)

Fax: +86-20-38780406

Complaint line: +86-20-85533471

E-mail: cts@cts-lab.com.cn

See Reverse For Terms And Conditions of Service

### 5.7 Electrical fast transients / Burst

For test instruments and accessories used see section 6 part 6.7.

#### 5.7.1 Description of the test location

Test location :	Test location no. 2
Power supply:	AC 230V/50Hz
Test condition:	Ambient Temperature: 24°C, Humidity:56%
Date of test :	19~26 June 2015
Operator :	<b>Eric</b>

#### 5.7.2 Severity levels of electrical fast transients / Burst

5.7.2.1 Severity level:  $\pm 1000V$  for AC power supply lines

Open circuit output test voltage and repetition rate of the impulses				
Level	On power port, PE		On I/O signal, data and control ports	
	V peak (KV)	Repetition rate (KHz)	Voltage peak	Repetition rate (KHz)
1	0.5	5 or 100	0.25	5 or 100
2	1	5 or 100	0.5	5 or 100
3	2	5 or 100	1	5 or 100
4	4	5 or 100	2	5 or 100
X	Special	Special	Special	Special

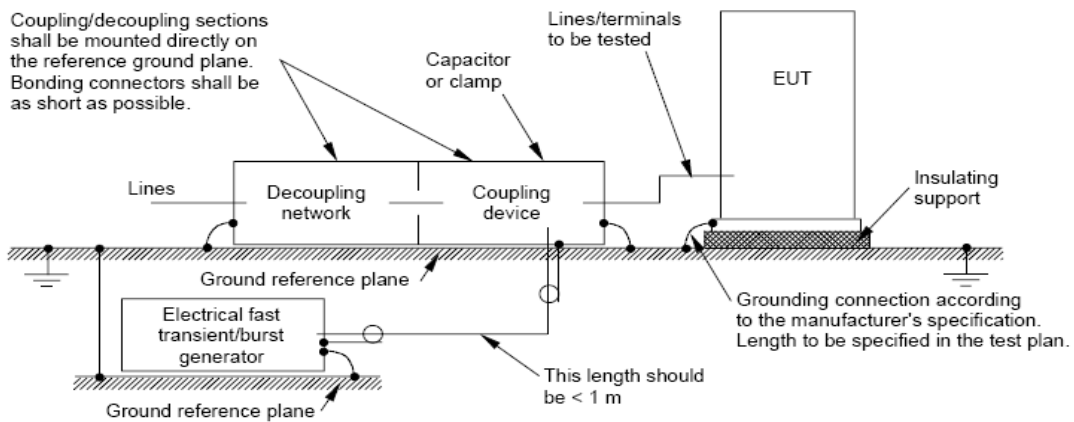
5.7.2.2 Performance criterion: B

#### 5.7.3 Description of the test set-up

##### 5.7.3.1 Operating Condition

The EUT is normal during the test, and the results of the maximum emanation are recorded

##### 5.7.3.2 Block Diagram of Test Setup



IEC 900/04

Copyright of this report is owned by Centre of Testing Service and may not be reproduced other than in full except with the written approval of the issuing Company.

**CTS (Ningbo) Testing Service Technology Co., Ltd.**

2/F., South Tower, Huoju Building, No.181, Canghai Road, Jiangdong Science and Technology Park, Ningbo, Zhejiang, China

Tel: +86-20-85543113 (32 lines)

Fax: +86-20-38780406

Complaint line: +86-20-85533471

E-mail: cts@cts-lab.com.cn

See Reverse For Terms And Conditions of Service





### 5.8 Surge

For test instruments and accessories used see section 6 part 6.8.

#### 5.8.1 Description of the test location

Test location :	Test location no. 2
Power supply:	AC 230V/50Hz
Test condition:	Ambient Temperature: 24°C, Humidity:56%
Date of test :	19~26 June 2015
Operator :	<b>Eric</b>

#### 5.8.2 Severity levels of surge

5.8.2.1 Severity level: Line to line: ±1KV Line to earth: ±2KV

Level	Test Voltage (KV)
1	0.5
2	1.0
3	2.0
4	4.0
X	Special

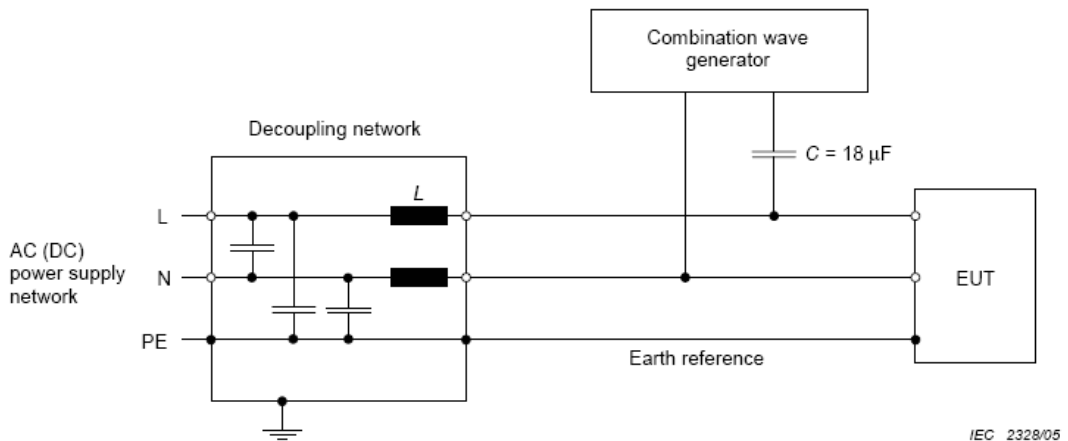
5.8.2.2 Performance Criterion: B

#### 5.8.3 Description of the test set-up

##### 5.8.3.1 Operating Condition

The EUT is normal during the test, and the results of the maximum emanation are recorded

##### 5.8.3.2 Block Diagram of Test Setup



Copyright of this report is owned by Centre of Testing Service and may not be reproduced other than in full except with the written approval of the issuing Company.

**CTS (Ningbo) Testing Service Technology Co., Ltd.**

2/F., South Tower, Huoju Building, No.181, Canghai Road, Jiangdong Science and Technology Park, Ningbo, Zhejiang, China

Tel: +86-20-85543113 (32 lines)

Fax: +86-20-38780406

Complaint line: +86-20-85533471

E-mail: cts@cts-lab.com.cn

See Reverse For Terms And Conditions of Service

#### 5.8.4 Test specification:

Pulse amplitude-Power line sym.: Source impedance: 2 $\Omega$ + 18 $\mu$ F	<input checked="" type="checkbox"/> 0.5 kV <input checked="" type="checkbox"/> 1 kV <input type="checkbox"/> 2 kV <input type="checkbox"/> 4 kV
Pulse amplitude-Power line unsym.: Source impedance: 12 $\Omega$ + 9 $\mu$ F	<input checked="" type="checkbox"/> 0.5 kV <input checked="" type="checkbox"/> 1 kV <input checked="" type="checkbox"/> 2 kV <input type="checkbox"/> 4 kV
Number of surges:	<input checked="" type="checkbox"/> 5 Surges/Phase angle
Phase angle:	<input checked="" type="checkbox"/> 0 ° <input checked="" type="checkbox"/> 90 ° <input checked="" type="checkbox"/> 180 ° <input checked="" type="checkbox"/> 270 °
Repetition rate:	<input checked="" type="checkbox"/> 60 s
Polarity:	<input checked="" type="checkbox"/> positive <input checked="" type="checkbox"/> negative

#### 5.8.5 Coupling points

Cable description:	AC power line: L+N, L+PE, N+PE
Screening:	<input type="checkbox"/> screened <input checked="" type="checkbox"/> unscreened
Status:	<input type="checkbox"/> passive <input checked="" type="checkbox"/> active
Signal transmission:	<input checked="" type="checkbox"/> analogue <input type="checkbox"/> digital
Length:	<input checked="" type="checkbox"/> 1.5 m

#### 5.8.6 Test result

The requirements are **Fulfilled**

Performance Criterion: **B**

**Remarks:** During the test no deviation was detected to the selected operation mode(s).

### 5.9 Conducted disturbances induced by radio-frequency fields

For test instruments and accessories used see section 6 part 6.9

#### 5.9.1 Description of the test location

Test location :	Test location no. 2
Power supply:	AC 230V/50Hz
Test condition:	Ambient Temperature: 24°C, Humidity:56%
Date of test :	19~26 June 2015
Operator :	Eric

#### 5.9.2 Severity levels of conducted disturbances induced by radio-frequency fields discharge

##### 5.9.2.1 Severity Level: 3V

Level	Field Strength (V)
1	1
2	3
3	10
X	Special

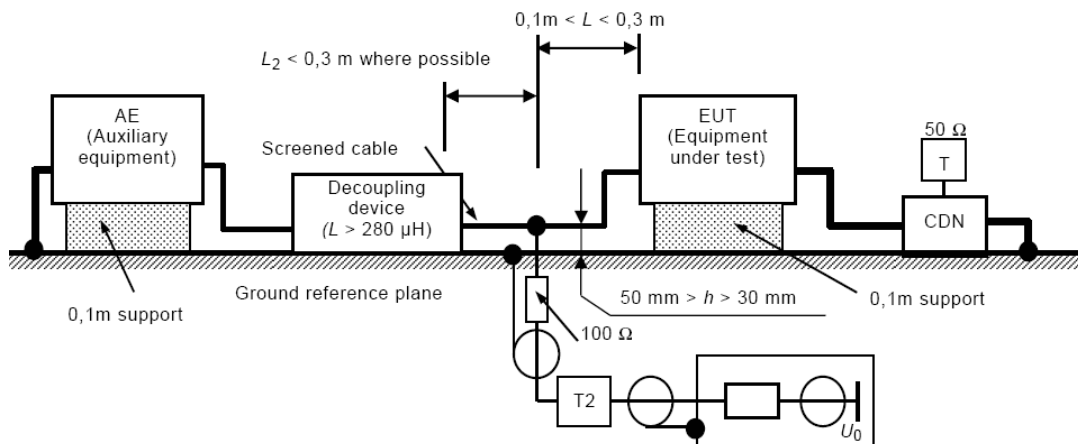
##### 5.9.2.2 Performance Criterion: A

#### 5.9.3 Description of the test set-up

##### 5.9.3.1 Operating Condition

The EUT is normal during the test, and the results of the maximum emanation are recorded

##### 5.9.3.2 Block Diagram of Test Setup



IEC 1586/03

Copyright of this report is owned by Centre of Testing Service and may not be reproduced other than in full except with the written approval of the issuing Company.

#### CTS (Ningbo) Testing Service Technology Co., Ltd.

2/F., South Tower, Huoju Building, No.181, Canghai Road, Jiangdong Science and Technology Park, Ningbo, Zhejiang, China

Tel: +86-20-85543113 (32 lines)

Fax: +86-20-38780406

Complaint line: +86-20-85533471

E-mail: cts@cts-lab.com.cn

See Reverse For Terms And Conditions of Service

#### 5.9.4 Test specification:

Frequency range:	<input checked="" type="checkbox"/> 0.15 MHz to 80 MHz
Test voltage:	<input checked="" type="checkbox"/> 3 V
Modulation:	<input checked="" type="checkbox"/> AM: 80 % <input checked="" type="checkbox"/> sinusoidal 1000Hz
Frequency step:	<input checked="" type="checkbox"/> 1 % with 3 s dwell time

#### 5.9.5 Coupling points

Cable description (Port1):	AC power line: L+N+PE
Screening:	<input type="checkbox"/> screened <input checked="" type="checkbox"/> unscreened
Status:	<input type="checkbox"/> passive <input checked="" type="checkbox"/> active
Signal transmission:	<input checked="" type="checkbox"/> analogue <input type="checkbox"/> digital
Length:	<input checked="" type="checkbox"/> 0.3 m

#### 5.9.6 Test result

The requirements are **Fulfilled**

Performance Criterion: **A**

**Remarks:** During the test no deviation was detected to the selected operation mode(s).

**5.10 Power frequency magnetic field**

For test instruments and accessories used see section 6 part 6.10.

**5.10.1 Description of the test location**

Test location :	Test location no. 2
Power supply:	AC 230V/50Hz
Test condition:	Ambient Temperature: 24°C, Humidity:56%
Date of test :	19~26 June 2015
Operator :	Eric

**5.10.2 Severity levels of magnetic field immunity**

5.10.2.1 Severity Level: 3A/m

Level	Magnetic Field Strength (A/m)
1	1
2	3
3	10
4	30
5	100
X	Special

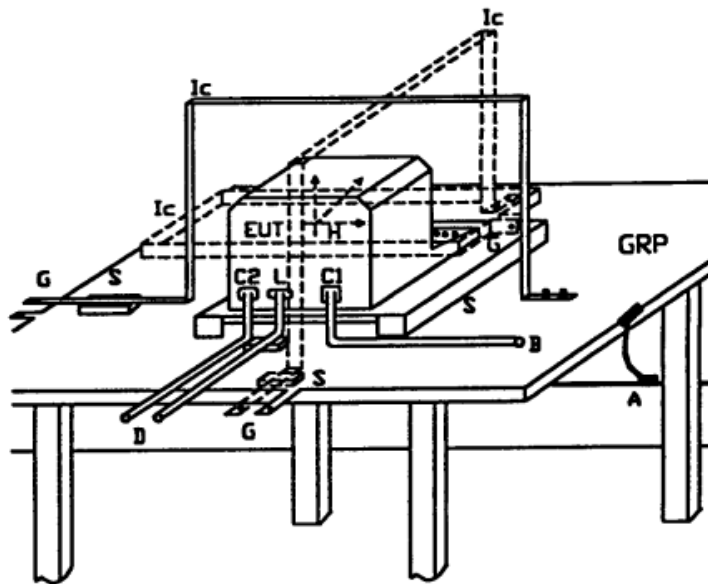
5.10.2.2 Performance Criterion: A

**5.10.3 Description of the test set-up**

5.10.3.1 Operating Condition

The EUT is normal during the test, and the results of the maximum emanation are recorded

5.10.3.2 Block Diagram of Test Setup



Copyright of this report is owned by Centre of Testing Service and may not be reproduced other than in full except with the written approval of the issuing Company.

**CTS (Ningbo) Testing Service Technology Co., Ltd.**

2/F., South Tower, Huoju Building, No.181, Canghai Road, Jiangdong Science and Technology Park, Ningbo, Zhejiang, China

Tel: +86-20-85543113 (32 lines)

Fax: +86-20-38780406

Complaint line: +86-20-85533471

E-mail: cts@cts-lab.com.cn

See Reverse For Terms And Conditions of Service

#### 5.10.4 Test specification:

Test frequency:	■ 50 Hz		
Continuous field:	■ 3 A/m		
Duration (Continuous field):	■ 60 s each Axis		
Short duration (1-3s):	■ 3s		
Axis:	■ x-axis	■ y-axis	■ z-axis

#### 5.10.5 Test result

The requirements are **Fulfilled**

Performance Criterion: **A**

**Remarks:** During the test no deviation was detected to the selected operation mode(s).

### 5.11 Voltage dips

For test instruments and accessories used see section 6 part 6.11.

#### 5.11.1 Description of the test location

Test location :	Test location no. 2
Power supply:	AC 230V/50Hz
Test condition:	Ambient Temperature: 24°C, Humidity:56%
Date of test :	19~26 June 2015
Operator :	Eric

#### 5.11.2 Severity levels of voltage dips

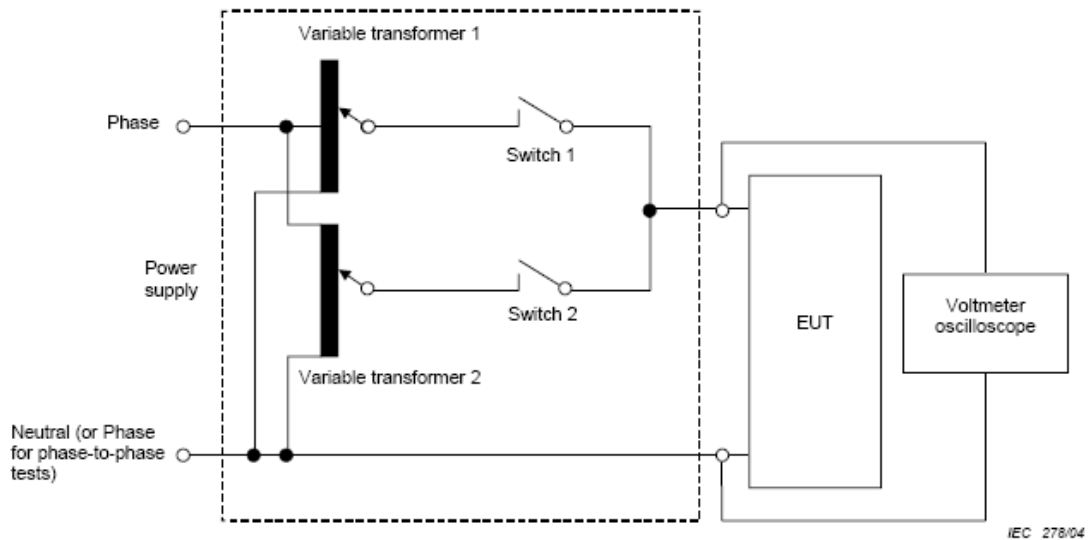
Test Level (%Ut)	Voltage Dips (%Ut)	Performance Criterion	Duration (in period)
0	100	B	0.5
0	100	B	1
70	30	B	25

#### 5.11.3 Description of the test set-up

##### 5.11.3.1 Operating Condition

The EUT is normal during the test, and the results of the maximum emanation are recorded

##### 5.11.3.2 Block Diagram of Test Setup



Copyright of this report is owned by Centre of Testing Service and may not be reproduced other than in full except with the written approval of the issuing Company.

**CTS (Ningbo) Testing Service Technology Co., Ltd.**

2/F., South Tower, Huoju Building, No.181, Canghai Road, Jiangdong Science and Technology Park, Ningbo, Zhejiang, China

Tel: +86-20-85543113 (32 lines)

Fax: +86-20-38780406

Complaint line: +86-20-85533471

E-mail: cts@cts-lab.com.cn

See Reverse For Terms And Conditions of Service



#### 5.11.4 Test specification:

Nominal Mains Voltage ( $V_N$ ):	■ AC 230V
Number of voltage fluctuations:	■ 3
Level of reduction(dip) / duration:	■ 100% / 10ms and 20ms
Level of reduction(dip) / duration:	■ 30% / 500ms

#### 5.11.5 Test result

The requirements are **Fulfilled**

Performance Criterion: **B**

**Remarks:** During the test no deviation was detected to the selected operation mode(s).

## 5.12 Voltage Short interruptions

For test instruments and accessories used see section 6 part 6.12.

### 5.12.1 Description of the test location

Test location :	Test location no. 2
Power supply:	AC 230V/50Hz
Test condition:	Ambient Temperature: 24°C, Humidity:56%
Date of test :	19~26 June 2015
Operator :	Eric

### 5.12.2 Severity levels of voltage short interruptions

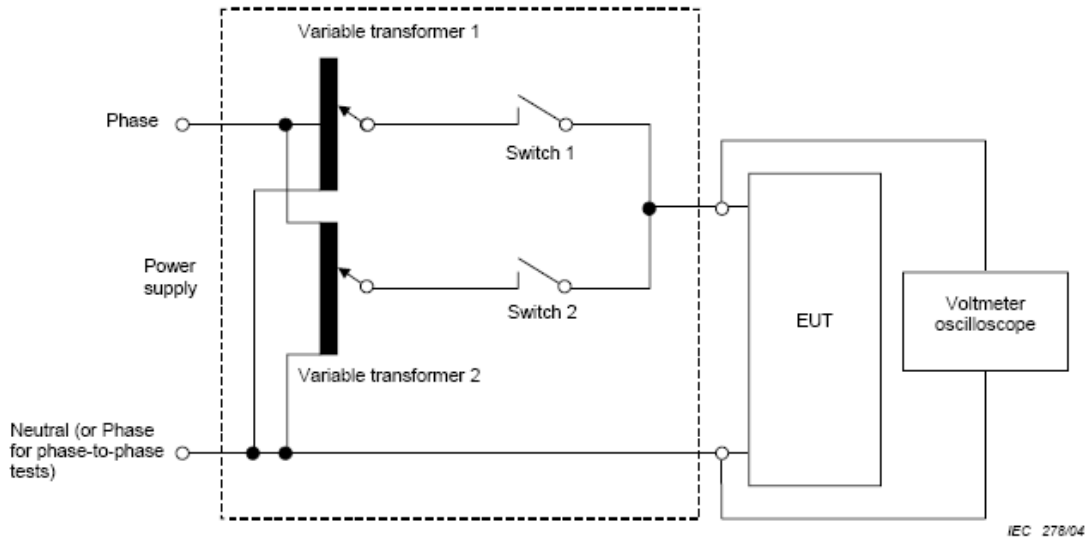
Test Level (%Ut)	Voltage Short Interruptions (%Ut)	Performance Criterion	Duration (in period)
0	100	C	250

### 5.12.3 Description of the test set-up

#### 5.12.3.1 Operating Condition

The EUT is normal during the test, and the results of the maximum emanation are recorded

#### 5.12.3.2 Block Diagram of Test Setup



Copyright of this report is owned by Centre of Testing Service and may not be reproduced other than in full except with the written approval of the issuing Company.

#### CTS (Ningbo) Testing Service Technology Co., Ltd.

2/F., South Tower, Huoju Building, No.181, Canghai Road, Jiangdong Science and Technology Park, Ningbo, Zhejiang, China

Tel: +86-20-85543113 (32 lines)

Fax: +86-20-38780406

Complaint line: +86-20-85533471

E-mail: cts@cts-lab.com.cn

See Reverse For Terms And Conditions of Service

**5.12.4 Test specification:**

Nominal Mains Voltage ( $V_N$ ):	■ AC 230 V
Number of voltage fluctuations:	■ 3
Level of reduction(dip) / duration:	■ 5000 ms

**5.12.5 Test result**The requirements are **Fulfilled**Performance Criterion: **C****Remarks:** During the test no deviation was detected to the selected operation mode(s).

## 6 USED TEST EQUIPMENT

6.1					
Radiated disturbance (Electric field)					
Item	Test Equipment	Manufacturer	Model No.	Serial No.	Last Cal.
1	Signal analyzer	ROHDE & SCHWARZ	FSIQ26	100311	2015/03/24
2	EMI Test Receiver	ROHDE & SCHWARZ	ESVS 10	842885/001	2014/11/04
3	Biconical Antenna	ROHDE & SCHWARZ	HK116	100221	2015/03/24
4	Log per Antenna	ROHDE & SCHWARZ	HL223	100226	2015/03/24
5	Log per Antenna	ROHDE & SCHWARZ	HL050	100186	2015/03/24
6	Pre-Amplifier	EMC	EMC330	980113	2015/03/24
7	Pre-Amplifier	EMC	EMC012645	980114	2015/03/24
8	EMI Test Software	Farad	EZ-EMC	N/A	N/A

6.2					
Conducted Disturbance					
Item	Test Equipment	Manufacturer	Model No.	Serial No.	Last Cal.
1	EMI Test Receiver	ROHDE & SCHWARZ	ESCI	100868	2014/11/04
2	Artificial Mains	ROHDE & SCHWARZ	ESH3-Z5	832479/025	2014/11/04
3	Artificial Mains	ROHDE & SCHWARZ	ESH3-Z6	100140	2014/11/04
4	Pulse Limiter	ROHDE & SCHWARZ	ESHS-Z2	100301	2014/11/04
5	EMI Test Software	Farad	EZ-EMC	N/A	N/A

6.3					
Harmonic Current					
Item	Test Equipment	Manufacturer	Model No.	Serial No.	Last Cal.
1	Harmonic And Flicker Analyzer	EMC Partner	Harmonics1000-1P	103488	2014/11/04
2	Harmonics-1000	EMC Partner	N/A	N/A	N/A

6.4					
Voltage Fluctuation and Flicker					
Item	Test Equipment	Manufacturer	Model No.	Serial No.	Last Cal.
1	Harmonic And Flicker Analyzer	EMC Partner	Harmonics1000-1P	103488	2014/11/04
2	Harmonics-1000	EMC Partner	N/A	N/A	N/A

6.5					
Electrostatic Discharge					
Item	Test Equipment	Manufacturer	Model No.	Serial No.	Last Cal.
1	ESD Simulator	Schlöder	SESD 200	0302016	2015/03/24

Copyright of this report is owned by Centre of Testing Service and may not be reproduced other than in full except with the written approval of the issuing Company.

### CTS (Ningbo) Testing Service Technology Co., Ltd.

2/F., South Tower, Huoju Building, No.181, Canghai Road, Jiangdong Science and Technology Park, Ningbo, Zhejiang, China

Tel: +86-20-85543113 (32 lines)

Fax: +86-20-38780406

Complaint line: +86-20-85533471

E-mail: cts@cts-lab.com.cn

See Reverse For Terms And Conditions of Service

6.6					
RF Field Strength Susceptibility					
Item	Test Equipment	Manufacturer	Model No.	Serial No.	Last Cal.
1	Signal Generator	ROHDE & SCHWARZ	SMY 01	843215/014	2014/11/04
2	Signal Generator	ROHDE & SCHWARZ	SML03	102986	2014/11/04
3	Amplifier	KALMUS	713FC	7385-1	2014/11/04
4	Power Meter	ROHDE & SCHWARZ	NRVS	842856/049	2014/11/04
5	Field Probe	ETS	HI-6005	00075047	2014/11/11
6	RS Test Software	Farad	EZ-RS	N/A	N/A

6.7					
Electrical Fast Transient/Burst					
Item	Test Equipment	Manufacturer	Model No.	Serial No.	Last Cal.
1	EMC test system Transient-1000	EMC Partner	Transient-1000	HAR1000-78	2014/11/04
2	3-Phase Coupling Network	EMC Partner	CDN1000	CDN1000-08	2014/11/04
3	Coupling Clamp	EMC Partner	SFT 410	0302015	2014/11/04
4	Genecs Software	EMC Partner	N/A	N/A	N/A

6.8					
Surge					
Item	Test Equipment	Manufacturer	Model No.	Serial No.	Last Cal.
1	EMC test system Transient-1000	EMC Partner	Transient-1000	HAR1000-78	2014/11/04
2	3-Phase Coupling Network	EMC Partner	CDN1000	CDN1000-08	2014/11/04
3	Coupling Clamp	EMC Partner	SFT 410	0302015	2013/11/05
4	Genecs Software	EMC Partner	N/A	N/A	N/A

6.9					
Conducted Susceptibility					
Item	Test Equipment	Manufacturer	Model No.	Serial No.	Last Cal.
1	RF generator / amplifier	Schlöder	CDG 6000	HU906007	2014/11/04
2	CDN	Schlöder	CDN M3	A3003008	2014/11/04
3	CDN	Schlöde	CDN T2	A3010005	2014/11/04
4	Attenuator	Abschwächer	DC-500MHz	N/A	2014/11/04
5	EM injection clamp	Liithi	EM101	35670	2013/11/06
6	CDG-6000 Software	Schlöder	N/A	N/A	N/A

Copyright of this report is owned by Centre of Testing Service and may not be reproduced other than in full except with the written approval of the issuing Company.

**CTS (Ningbo) Testing Service Technology Co., Ltd.**

2/F., South Tower, Huoju Building, No.181, Canghai Road, Jiangdong Science and Technology Park, Ningbo, Zhejiang, China

Tel: +86-20-85543113 (32 lines)

Fax: +86-20-38780406

Complaint line: +86-20-85533471

E-mail: cts@cts-lab.com.cn

See Reverse For Terms And Conditions of Service

6.10					
Power Frequency Magnetic Field Susceptibility					
Item	Test Equipment	Manufacturer	Model No.	Serial No.	Last Cal.
1	Power frequency mag-field generator System	EM TEST	EMS61000-8K	409001	2014/11/04

6.11					
Voltage Dips					
Item	Test Equipment	Manufacturer	Model No.	Serial No.	Last Cal.
1	EMC test system Transient-1000	EMC Partner	Transient-1000	HAR1000-78	2014/11/04
2	3-Phase Coupling Network	EMC Partner	CDN1000	CDN1000-08	2014/11/04
3	GenecsSoftware	EMC Partner	N/A	N/A	N/A

6.12					
Voltage Short Interruptions					
Item	Test Equipment	Manufacturer	Model No.	Serial No.	Last Cal.
1	EMC test system Transient-1000	EMC Partner	Transient-1000	HAR1000-78	2014/11/04
2	3-Phase Coupling Network	EMC Partner	CDN1000	CDN1000-08	2014/11/04
3	GenecsSoftware	EMC Partner	N/A	N/A	N/A

Copyright of this report is owned by Centre of Testing Service and may not be reproduced other than in full except with the written approval of the issuing Company.

**CTS (Ningbo) Testing Service Technology Co., Ltd.**

2/F., South Tower, Huoju Building, No.181, Canghai Road, Jiangdong Science and Technology Park, Ningbo, Zhejiang, China

Tel: +86-20-85543113 (32 lines)

Fax: +86-20-38780406

Complaint line: +86-20-85533471

E-mail: cts@cts-lab.com.cn

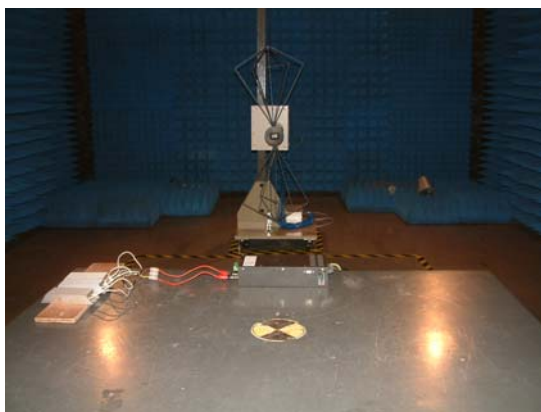
See Reverse For Terms And Conditions of Service

## 7 TEST PHOTOGRAPHS

7.1. Photo of power line conducted emission measurement (C.E.)



7.2. Photo of radiated emission measurement (R.E. Electric field)



7.3. Photo of harmonic current and flicker emission measurement (H.&F.)



Copyright of this report is owned by Centre of Testing Service and may not be reproduced other than in full except with the written approval of the issuing Company.

**CTS (Ningbo) Testing Service Technology Co., Ltd.**

2/F., South Tower, Huoju Building, No.181, Canghai Road, Jiangdong Science and Technology Park, Ningbo, Zhejiang, China

Tel: +86-20-85543113 (32 lines)

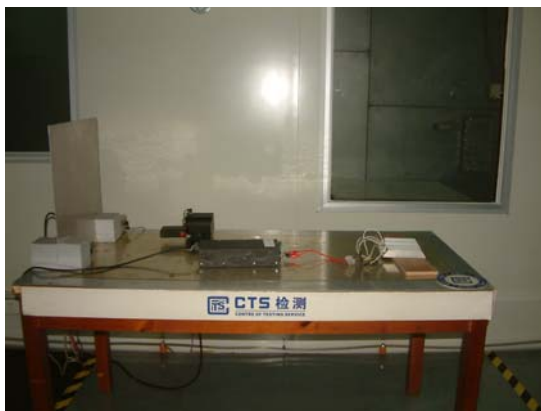
Fax: +86-20-38780406

Complaint line: +86-20-85533471

E-mail: [cts@cts-lab.com.cn](mailto:cts@cts-lab.com.cn)

See Reverse For Terms And Conditions of Service

**7.4. Photo of electrostatic discharge Immunity measurement (E.S.D.)**



**7.5. Photo of RF field strength Immunity measurement (R.S.)**



**7.6. Photo of EFT/surge/Dips immunity measurement (E.F.T./Surge./Dips.)**



Copyright of this report is owned by Centre of Testing Service and may not be reproduced other than in full except with the written approval of the issuing Company.

**CTS (Ningbo) Testing Service Technology Co., Ltd.**

2/F., South Tower, Huoju Building, No.181, Canghai Road, Jiangdong Science and Technology Park, Ningbo, Zhejiang, China

Tel: +86-20-85543113 (32 lines)

Fax: +86-20-38780406

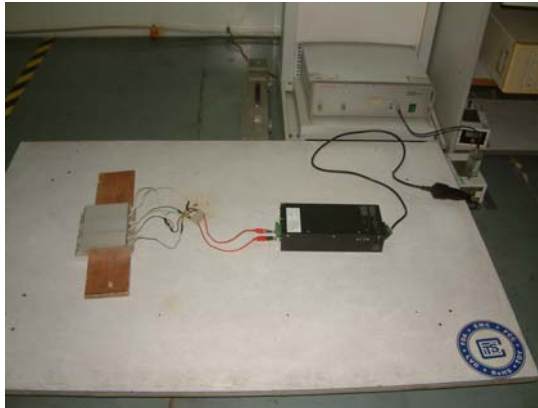
Complaint line: +86-20-85533471

E-mail: cts@cts-lab.com.cn

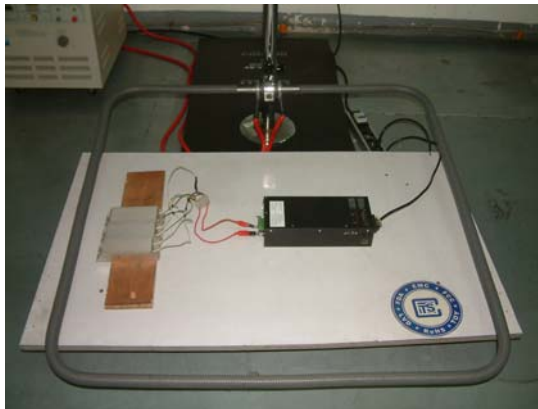
See Reverse For Terms And Conditions of Service



**7.7. Photo of conducted disturbance Immunity measurement (C.S.)**



**7.8. Photo of PFM field immunity measurement (P.F.M.F.)**



Copyright of this report is owned by Centre of Testing Service and may not be reproduced other than in full except with the written approval of the issuing Company.

**CTS (Ningbo) Testing Service Technology Co., Ltd.**

2/F., South Tower, Huoju Building, No.181, Canghai Road, Jiangdong Science and Technology Park, Ningbo, Zhejiang, China

Tel: +86-20-85543113 (32 lines)

Fax: +86-20-38780406

Complaint line: +86-20-85533471

E-mail: [cts@cts-lab.com.cn](mailto:cts@cts-lab.com.cn)

See Reverse For Terms And Conditions of Service

## 8 External and Internal Photos of the EUT



External view 1



External view 2



External view 3

Copyright of this report is owned by Centre of Testing Service and may not be reproduced other than in full except with the written approval of the issuing Company.

**CTS (Ningbo) Testing Service Technology Co., Ltd.**

2/F., South Tower, Huoju Building, No.181, Canghai Road, Jiangdong Science and Technology Park, Ningbo, Zhejiang, China

Tel: +86-20-85543113 (32 lines)

Fax: +86-20-38780406

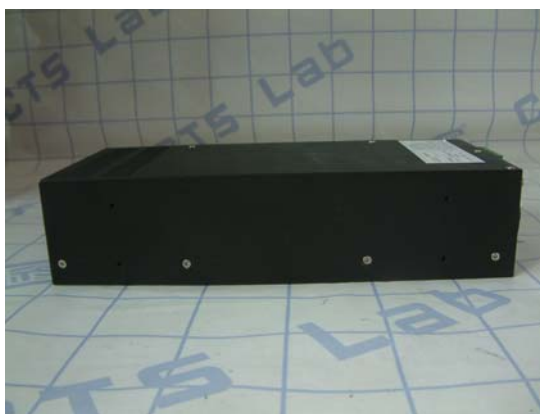
Complaint line: +86-20-85533471

E-mail: [cts@cts-lab.com.cn](mailto:cts@cts-lab.com.cn)

See Reverse For Terms And Conditions of Service



External view 4



External view 5



External view 6

Copyright of this report is owned by Centre of Testing Service and may not be reproduced other than in full except with the written approval of the issuing Company.

**CTS (Ningbo) Testing Service Technology Co., Ltd.**

2/F., South Tower, Huoju Building, No.181, Canghai Road, Jiangdong Science and Technology Park, Ningbo, Zhejiang, China

Tel: +86-20-85543113 (32 lines)

Fax: +86-20-38780406

Complaint line: +86-20-85533471

E-mail: [cts@cts-lab.com.cn](mailto:cts@cts-lab.com.cn)

See Reverse For Terms And Conditions of Service



Label



Internal view



PCB view 1

Copyright of this report is owned by Centre of Testing Service and may not be reproduced other than in full except with the written approval of the issuing Company.

**CTS (Ningbo) Testing Service Technology Co., Ltd.**

2/F., South Tower, Huoju Building, No.181, Canghai Road, Jiangdong Science and Technology Park, Ningbo, Zhejiang, China

Tel: +86-20-85543113 (32 lines)

Fax: +86-20-38780406

Complaint line: +86-20-85533471

E-mail: [cts@cts-lab.com.cn](mailto:cts@cts-lab.com.cn)

See Reverse For Terms And Conditions of Service



PCB view 2

Copyright of this report is owned by Centre of Testing Service and may not be reproduced other than in full except with the written approval of the issuing Company.

**CTS (Ningbo) Testing Service Technology Co., Ltd.**

2/F., South Tower, Huoju Building, No.181, Canghai Road, Jiangdong Science and Technology Park, Ningbo, Zhejiang, China

Tel: +86-20-85543113 (32 lines)

Fax: +86-20-38780406

Complaint line: +86-20-85533471

E-mail: [cts@cts-lab.com.cn](mailto:cts@cts-lab.com.cn)

See Reverse For Terms And Conditions of Service

## 9 Manufacturer/ Approval holder Declaration

The following identical model(s):

<b>S-10,</b>	<b>S-20,</b>	<b>S-(15)25,</b>	<b>S-(35)40,</b>	<b>S-(50)60,</b>
<b>S-75,</b>	<b>S-100(120),</b>	<b>S-(145)150,</b>	<b>S-201,</b>	<b>S-240,</b>
<b>S-300(350),</b>	<b>S-500,</b>	<b>S-600(800),</b>	<b>S-1000(1200),</b>	<b>S-50-24</b>

Belong to the tested device:

Product description: **SWITCHING POWER SUPPLY**  
Model name: **S**