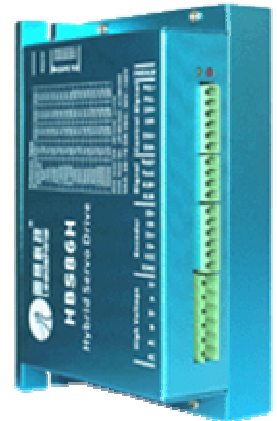


HB860H 2-phase Hybrid Servo Drive

20-70VAC or 30-100VDC, 8.2A Peak

No Tuning, Nulls loss of Synchronization

- n Closed-loop, eliminates loss of synchronization
- n Broader operating range – higher torque and higher speed
- n Reduced motor heating and more efficient
- n Smooth motion and super-low motor noise
- n Do not need a high torque margin
- n No Tuning and always stable
- n Fast response, no delay and almost no settle time
- n High torque at starting and low speed, high stiffness at standstill
- n Lower cost



Descriptions

The HB series offers an alternative for applications requiring high performance and high reliability when the servo was the only choice, while it remains cost-effective. The system includes a 2-phase stepper motor combined with a fully digital, high performance drive and an internal encoder which is used to close the position, velocity and current loops in real time, just like servo systems. It combines the best of servo and stepper motor technologies, and delivers unique capabilities and enhancements over both, while at a fraction of the cost of a servo system.

Applications

The HB series offers an alternative for applications requiring high performance and high reliability when the servo was the only choice, while it remains cost-effective. Its great feature of fast response and no hunting make it ideal for applications such as bonding and vision systems in which rapid motions with a short distance are required and hunting would be a problem. And it is ideal for applications where the equipment uses a belt-drive mechanism or otherwise has low rigidity and you don't want it to vibrate when stopping

Specifications

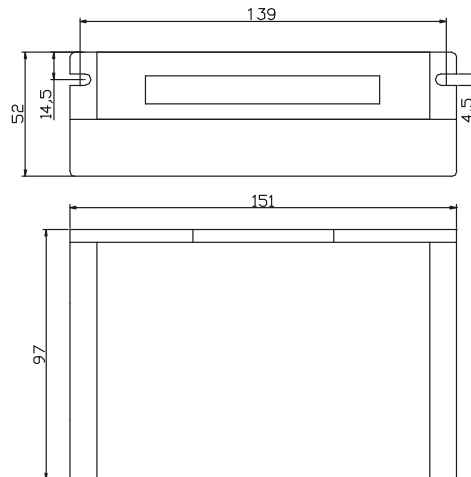
Electrical Specifications

Parameter	Min	Typical	Max	Unit
Input Voltage	30	60	100	VDC
	20	-	70	VAC
Output Current	0	-	8.2(Peak)	A
Pulse Input Frequency	0	-	200	kHz
Logic Signal Current	7	10	16	mA
Isolation Resistance	500	-	-	MΩ

Operating Environment

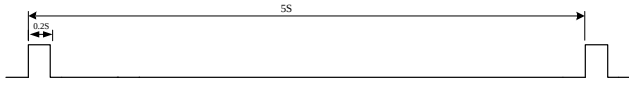
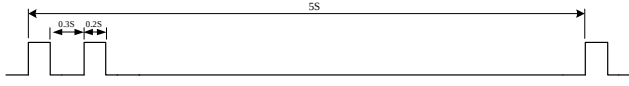
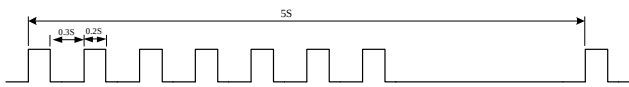
Cooling	Natural Cooling or Forced cooling	
Operating Environment	Environment	Avoid dust, oil fog and corrosive gases
	Storage Temperature	-20°C □ 65°C (-4°F □ 149°F)
	Ambient Temperature	0°C □ 50°C (32°F □ 122°F)
	Humidity	40%RH □ 90%RH
	Operating Temperature (Heat Sink)	70°C (158°F) Max
Storage Temperature	-20°C □ 65°C (-4°F □ 149°F)	
Weight	580 g (9.88 oz)	

Mechanical Specifications



Protection Indications

The green indicator turns on when power-up. When drive protection is activated, the red LED blinks periodically to indicate the error type.

Priority	Time(s) of Blink	Sequence wave of RED LED	Description
1st	1		Over-current protection
2nd	2		Over-voltage protection
3rd	7		Position Following Error

Connectors and Pin Assignment

The HB860H has four connectors, connector for control signals connections, connector for stator signal connections, connector for encoder feedback and connector for power and motor connections.

Control Signal Connector – Screw Terminal			
Pin	Name	I/O	Description
1	PUL+	I	<u>Pulse signal</u> : In single pulse (pulse/direction) mode, this input represents pulse signal, each rising or falling edge active (software configurable, see hybrid servo software operational manual for more detail); In double pulse mode (software configurable), this input represents clockwise (CW) pulse, active both at high level and low level. 4-5V when PUL-HIGH, 0-0.5V when PUL-LOW. For reliable response, pulse width should be longer than 10μs. Series connect resistors for current-limiting when +12V or +24V used. The same as DIR and ENA signal.
2	PUL-	I	
3	DIR+	I	<u>Direction Signal</u> : In single-pulse mode, this signal has low/high voltage levels, representing two directions of motor rotation. In double-pulse mode (software configurable), this signal is counter-clock (CCW) pulse, active both at high level and low level. For reliable motion response, DIR signal should be ahead of PUL signal by 5μs at least. 4-5V when DIR-HIGH, 0-0.5V when DIR-LOW. Please note that rotation direction is also related to motor-driver wiring match. Exchanging the connection of two wires for a coil to the driver will reverse motion direction. The direction signal's polarity is software configurable.
4	DIR-	I	
5	ENA+	I	<u>Enable signal</u> : This signal is used for enabling/disabling the driver. In default, high level (NPN control signal) for enabling the driver and low level for disabling the driver. Usually left UNCONNECTED (ENABLED) . Please note that PNP and Differential control signals are on the contrary, namely Low level for enabling. The active level of ENA signal is software configurable.
6	ENA-	I	

Stator Signal Connector – Screw Terminal

Pin	Name	I/O	Description
1	Pend+	O	<u>In-position Signal</u> : OC output signal, active when the difference between the actual position and the command position is zero. This port can sink or source 20mA current at 24V. The resistance between Pend+ and Pend- is active at high impedance.
2	Pend-	O	
3	ALM+	O	<u>Alarm Signal</u> : OC output signal, active when one of the following protection is activated: over-voltage, over current and position following error. This port can sink or source 20mA current at 24V. In default, the resistance between ALM+ and ALM- is low impedance in normal operation and become high when HBS86 goes into error. The active level of alarm signal is software configurable. See Hybrid servo software operational manual for more detail.
5	ALM-	O	

Encoder Feedback Connector – Screw Terminal

Pin	Name	I/O	Description
1	EB+	I	Encoder channel B+ input (yellow)
2	EB-	I	Encoder channel B- input (green)
3	EA+	I	Encoder channel A+ input (black)
4	EA-	I	Encoder channel A- input (brown)
5	VCC	O	+5V @ 100 mA max. (red)
6	EGND	GND	Signal ground (white)

Power and Motor Connector – Screw Terminal

Pin	Name	I/O	Description
1	A+	O	Motor Phase A+ (green)
2	A-	O	Motor Phase A- (red)
3	B+	O	Motor Phase B+ (yellow)
4	B-	O	Motor Phase B- (blue)
5	AC	I	Power Supply Input (Positive) 20-63VAC or 30-90VDC recommended, leaving rooms for voltage fluctuation and back-EMF.
6	AC	GND	Power Ground (Negative)

DIP Switch Settings

Microstep Resolution (SW1-SW4)

Steps/Revolution	SW1	SW2	SW3	SW4
Software Configured (Default 200)	off	off	off	off
800	on	off	off	off
1600	off	on	off	off
3200	on	on	off	off
6400	off	off	on	off
12800	on	off	on	off
25600	off	on	on	off
51200	on	on	on	off
1000	off	off	off	on
2000	on	off	off	on
4000	off	on	off	on
5000	on	on	off	on
8000	off	off	on	on
10000	on	off	on	on
20000	off	on	on	on
40000	on	on	on	on

Motor Direction (SW5)

	ON	OFF
SW5	Motor direction is positive.	Motor direction is negative.

Motor Selection (SW6)

	ON	OFF
SW6	86HS40-EC.-1000	86HS80-EC-1000

Current Control

The motor current will be adjusted automatically regarding to the load or the stator-rotor relationship. However, the user can also configure the current in the tuning software. The configurable parameters include close-loop current, holding current, encoder resolution, micro step and etc. There are also PID parameters for the motor but they have been tuned according to Leadshine matching motor so the user does not need to tune them.

Typical Connections

